

# BM2150

Entry level Book Mounting fanless Box IPC based on Intel® Bay Trail platform

# BM2150 - Highlights



- **Fanless book mounting IPC** (0÷50°C operating temperature)
  - Compact dimensions
  - Cabling from top
  - Plastic front door to access the extractable CFast
- **ASEM UBIQUITY Basic Win32/64** runtime included
- Intel® SoC **Bay Trail Celeron J1900** quad core processor – 2,00 GHz (2,42 GHz burst frequency)
- **RAM** System memory expandable up to **8GB**
- **On top interfaces**
  - 2 x Ethernet 10/100/1000 Mbps
  - 1 x USB 3.0, 1 x USB 2.0
  - 1 x DVI-D
  - add-on boards (optional, only one):
    - 1 x RS232/422/485 (DB15M) + 1 x USB 2.0
    - 1 x RS232/422/485 isolated (DB15M) + 1 x USB 2.0
    - 2 x RS232 (DB9M)
    - 1 x USB 2.0
- **Front access**
  - 1 x CFast slot
- **Mass storage** mSATA SSD with SATA II interface
- **Isolated 24V DC power supply input**



# BM2150 - Features



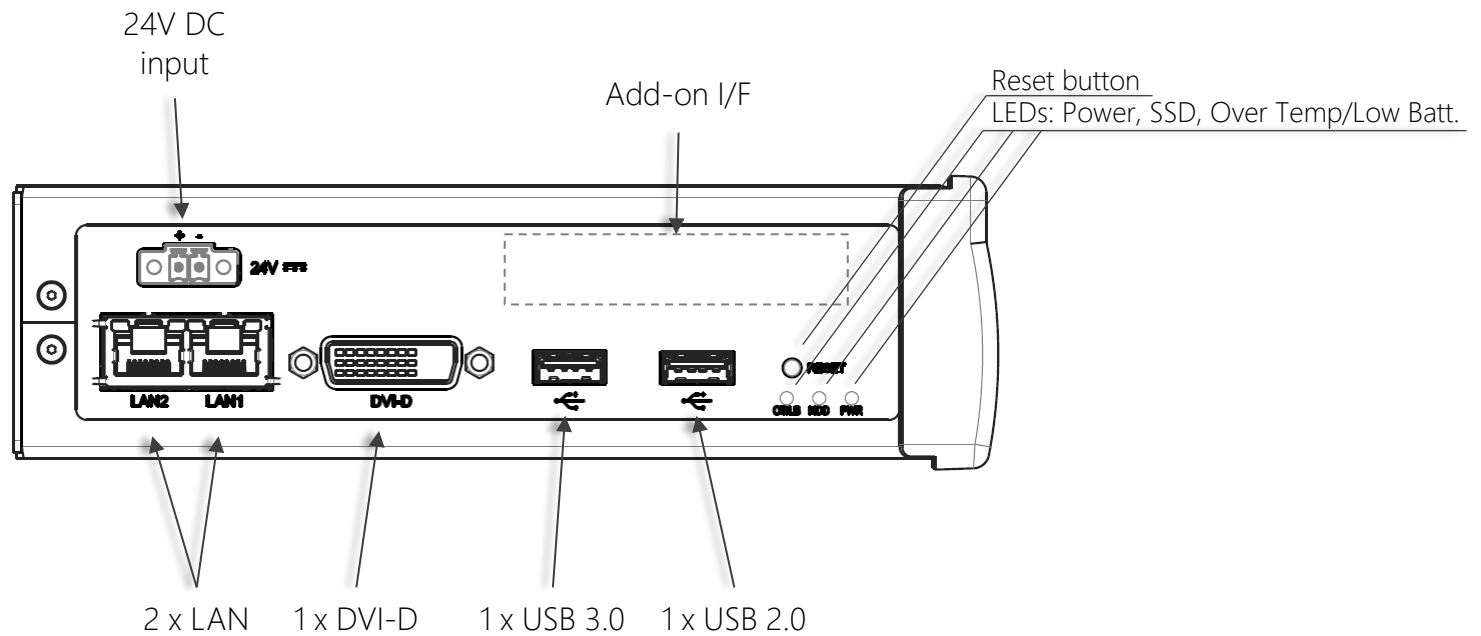
		BM2150
PROCESSOR		Intel® Celeron J1900, 2GHz (2.41GHz burst frequency), 4 cores / 4 threads, 2MB L2 cache, 10W, 22nm technology
VIDEO CONTROLLER		Intel® HD Graphics integrated in microprocessor, 688MHz Clock 854MHz Turbo, LVDS 8bit/color digital interface
SYSTEM MEMORY - RAM		1GB or 2GB or 4GB or 8GB (1 x SODIMM DDR3 module)
MASS STORAGE		1 bootable CFast slot on board with external front access 1 x SSD mSATA SATA II connector
LAN		2 x LAN 10/100/1000Mbps, top (2 x Intel® I210)
USB		1 x USB 3.0, top (Type-A) 1 x USB 2.0, top (Type-A)
BATTERY		1 x CR2032 internal access
VIDEO OUTPUT		1 x DVI-D, top
ADD-ON INTERFACES (optional, on top, max 1)		1 x RS232/422/485 (DB15M) + 1 x USB 2.0 (Type-A) 1 x RS232/422/485 (DB15M) isolated + 1 x USB 2.0 (Type-A) 2 x RS232 (DB9M) 1 x USB 2.0 (Type-A)
POWER SUPPLY INPUT		24VDC isolated
CASE	Installation	For wall book mounting or DIN rail book mounting
	Material	Alluminum alloy 6082/5754/5056, Plastic front door
O.S. CERTIFIED		Microsoft Windows 10 IoT Enterprise 2016 LTSB 64bit, Microsoft Windows 8.1 Industry Pro 32/64bit, Microsoft Windows 7 Pro/Ultimate 32/64bit, Microsoft Windows Embedded Standard 7E/7P 32/64 bit, Microsoft Windows Embedded Compact 7 Pro (in development)
OPERATING TEMPERATURE		0°- 50°C
APPROVALS		CE, cULus LISTED (61010) pending

# BM2150 – Motherboard «All-in-one» 932

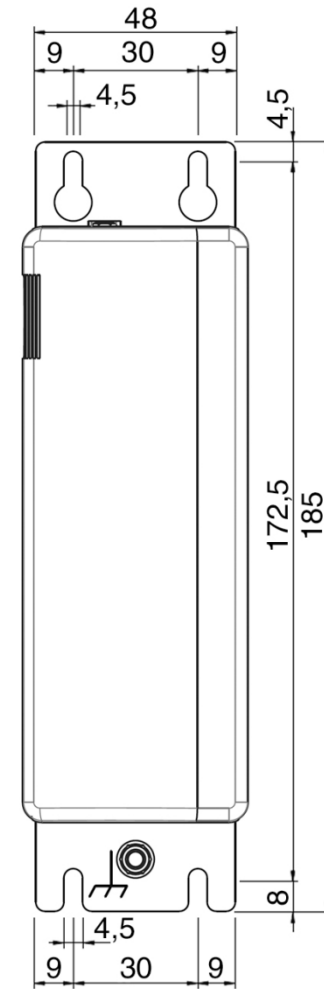
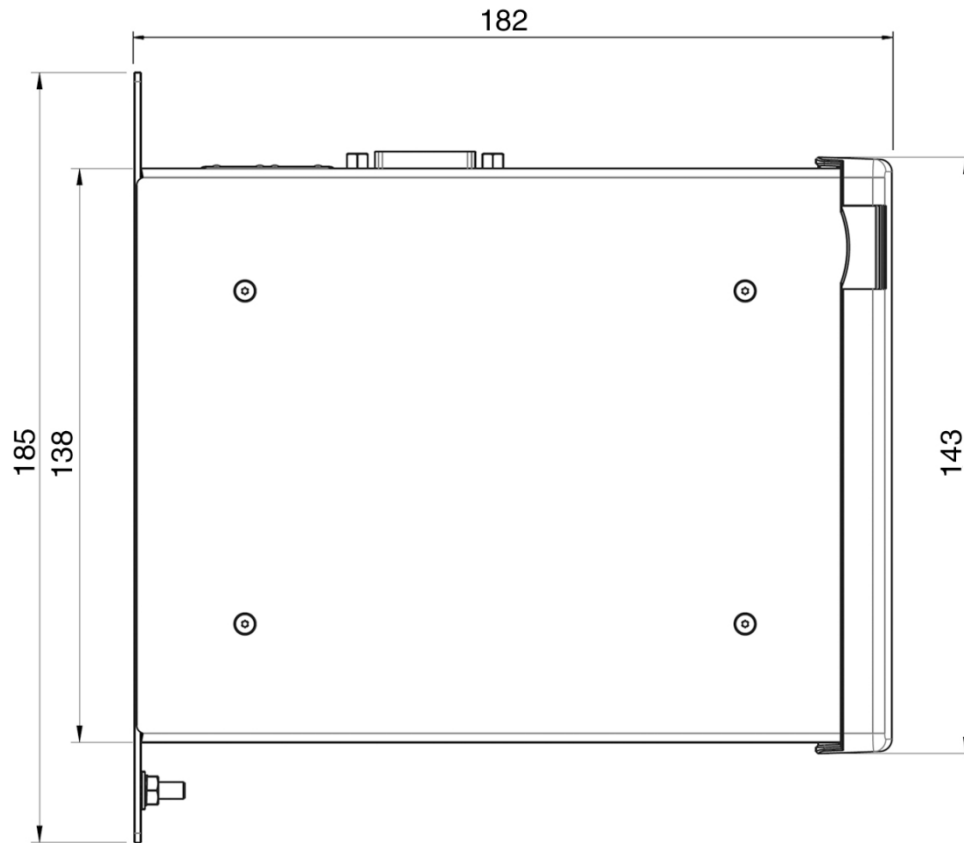
---



# BM2150 – Interfaces & Connectors on top

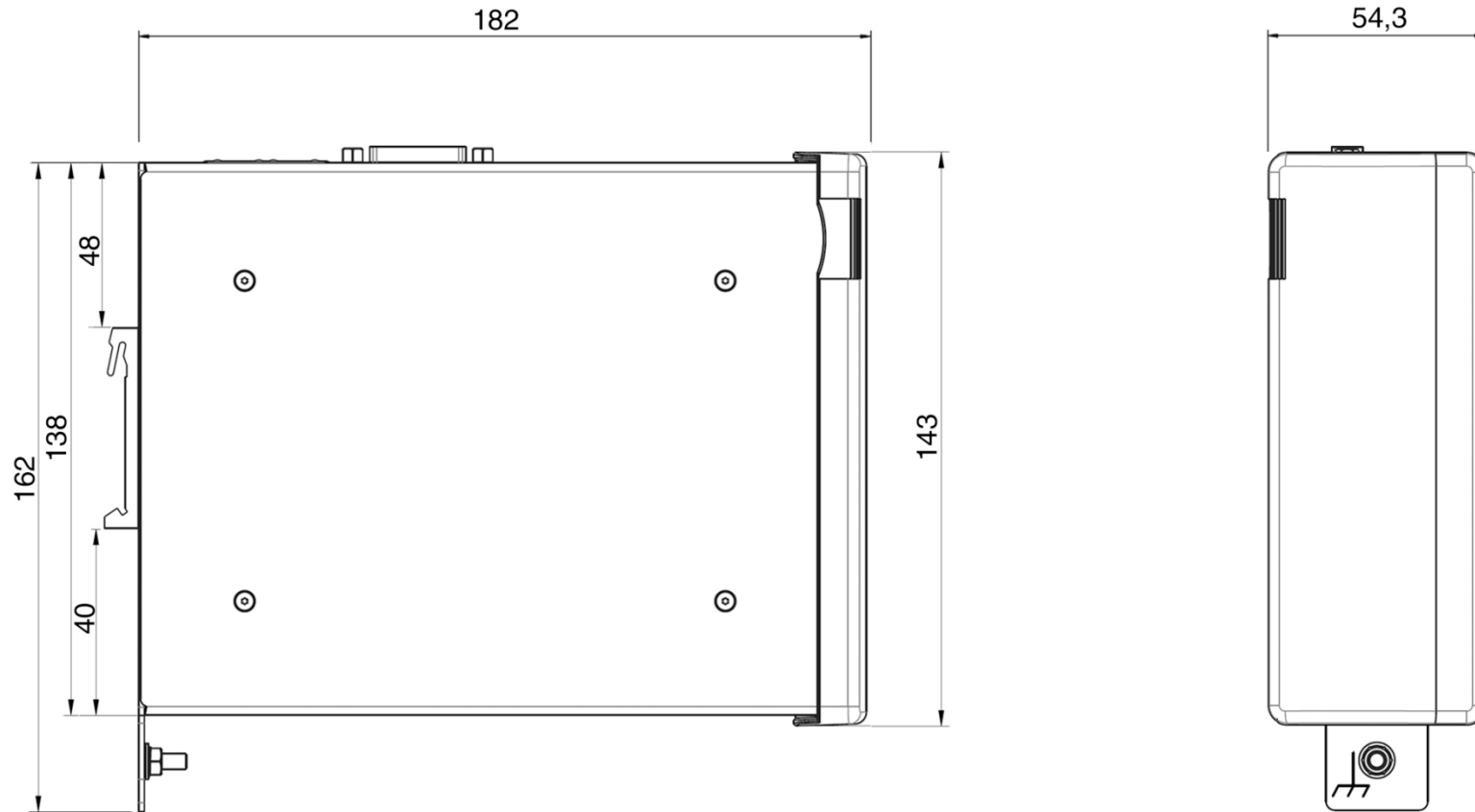


# BM2150 – Dimensions, wall mounting





# BM2150 – Dimensions, DIN rail mounting



# BM2150 - Processor

---

- Intel® **Bay Trail SoC** platform processor
  - **Celeron J1900**, 2.00GHz (2.41GHz burst frequency)
  - 4 cores, 4 threads processor with 64bit architecture (Desktop family)
  - 22nm technology process
  - 2MB L2 Cache
  - Fast memory - DDR3 1333MHz RAM
  - Low consumption - 10W TDP
- SoC (System on Chip), no companion chip, all the peripherals are managed directly by the processor





# BM2150 - O.S. compatibility

---

- Operating systems **certified by ASEM**
  - Win 10 IoT Enterprise 2016 LTSC 64bit
  - Win 8.1 Industry Pro 32/64bit
  - Win 7 Pro/Ultimate 32/64bit
  - Win Embedded Standard 7E/7P 32/64Bit
  - Windows Embedded Compact 7 Pro (in development)
  - Linux
- Intel® **Bay Trail platform** does not support:
  - Win XP Pro 32bit
  - Windows Embedded Standard 2009 (XPe SP3) 32bit
  - Win 2000/ 98/ NT
  - Win CE 5.0 Pro/Pro Plus
  - Win CE 6.0 Pro
- Operating systems supported by the Intel platform but not certified by ASEM
  - VxWorks
  - QNX

# BM2150 - Mass Storage

---

## CFast

- 1 x bootable CFast slot on board with external front access

CFast card



## SSD mSATA

- 1 x mSATA SATA II internal connector for direct insertion of mSATA SSD

mSATA SSD



# BM2150 - ASEM add-on Interfaces (option)

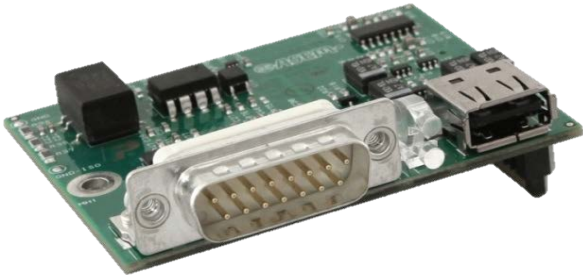
1 x RS232/422/485 (DB15M) + 1 x USB 2.0



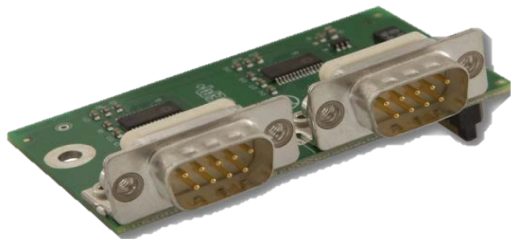
1 x USB 2.0 (Type A)



1 x RS232/422/485 optoisolated (DB15M) + 1 x USB 2.0



2 x RS232 (DB9M)



# BM2150 - Long term availability

---



ASEM S.p.A.  
Via Buia 4  
33011 Artegna (UD)  
Italy  
Tel. +39/0432-9671

[industrialautomation@asem.it](mailto:industrialautomation@asem.it)  
[www.asem.it](http://www.asem.it)

