

PCD7.D570RF Tech-Note

7" TFT color with touchscreen.

1 Ethernet port, 1 USB port.

Linux browser panel.

- ▶ ARM Cortex-A9 dual-core CPU
- ▶ 7" TFT color display
 - resolution 800 × 480 pixel
 - 64K colors
 - Dimmable LED backlight
- ▶ Resistive touchscreen
- ▶ 1 Ethernet port
- ▶ 1 USB port



Highlights

The PCD7.D570RF combines top performance with a compact design.

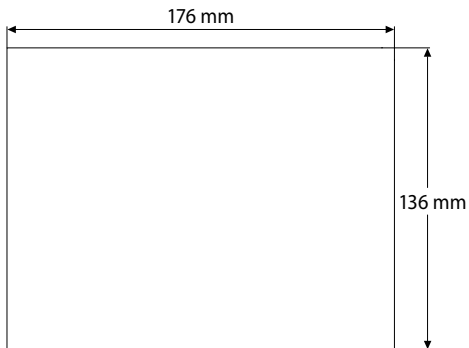
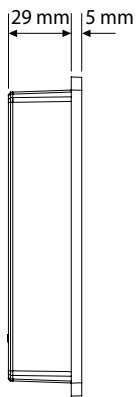
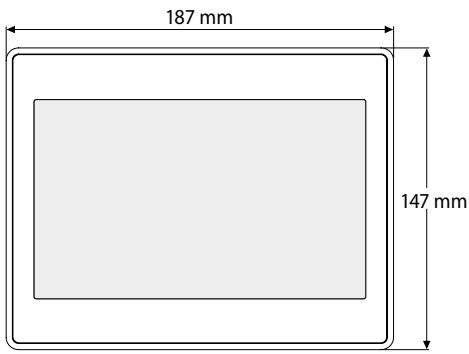
It is an effective platform for running browser applications in the industrial environment. The powerful dual-core CPU and the efficient Linux with realtime extensions guarantee and optimal performance under the most demanding conditions.

This product has been optimized as an ideal platform for the Chromium browser, while retaining compatibility with the RF family of HMI devices.

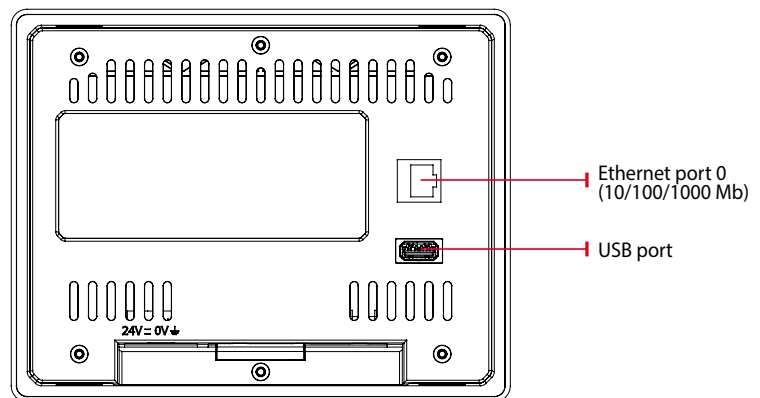
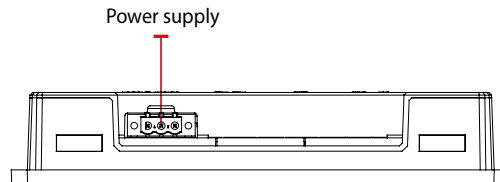
It is an open RT Linux platform for running own IoT software applications.



Technical Data



System Resources	
Display - Colors	7" TFT 16:9 - 64K
Resolution	800 × 480, WVGA
Brightness	200 Cd/m ² typ.
Dimming	to 0%
Touchscreen	Resistive
CPU	ARM Cortex-A9 dual core - 800 MHz
Operating System	Linux RT
Flash	4 GB
RAM	1 GB
Real Time Clock, RTC Back-up, Buzzer	Yes, No, No
Interface	
Ethernet port	1 (port 0 – 10/100/1000)
USB port	1 (Host V2.0, max. 100 mA)
Ratings	
Power supply	24 Vdc (10 to 32 Vdc)
Current Consumption	0.3 A at 24 Vdc (max.)
Input Protection	Electronic
Environment Conditions	
Operating Temp	0 to +50 °C (vertical installation)
Storage Temp	-20 °C to +70°C
Operating / Storage Humidity	5...85% RH, non condensing
Protection Class	IP66 (front); IP20 (rear)
Dimensions and Weights	
Faceplate L × H	187 × 147 mm (7.36 × 5.79")
Cutout A × B	176 × 136 mm (6.93 × 5.35")
Depth D+T	29 + 5 mm (1.14 + 0.19")
Weight	0.875 kg
Dimensions and Weights	
CE	Emission EN 61000-6-4, Immunity EN 61000-6-2 for installation in industrial environments Emission EN 61000-6-3, Immunity EN 61000-6-1 for installation in residential environments



Ordering information

Part Number	Type	Description
PCD7.D570RF	7" HTML5 Web Panel, resistive touch	7" HTML5 Web Panel, TFT color, 800x480 pixel, resistive touch screen, 1 Ethernet port, 1 USB host port

Saia-Burgess Controls AG

Bahnhofstrasse 18 | 3280 Murten, Switzerland
T +41 26 580 30 00 | F +41 26 580 34 99 | www.saia-pcd.com

support@saia-pcd.com | www.sbc-support.com

Honeywell | Partner Channel