

## PCD7.D510CF

10.1" TFT – ARM Cortex A9 Dual Core  
3 Ethernet, 2 USB ports

- ▶ 10.1" TFT color display  
resolution 1280 × 800 pixel  
16M colors  
Dimmable LED backlight
- ▶ Projected capacitive touchscreen  
True glass design  
Multitouch operation
- ▶ 3 Ethernet ports



### Advantages

- ▶ High Cyber Security Level.  
Protection from unauthorized accesses
- ▶ Modern HTML5 Browser based on Linux
- ▶ High quality, industrial grade. Long life cycle > 10 year
- ▶ Controllers, HMI and tools are harmonized and tested together
- ▶ HTML5 Chromium Browser to access PCD Web-Server or Saia PCD Supervisor
- ▶ Compatible with HTML5 Web-Editor Projects

### Applications

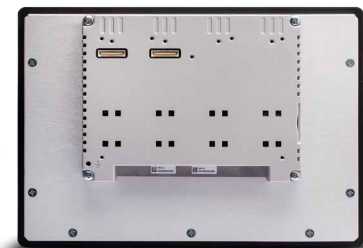
- ▶ Building automation
- ▶ Infrastructure automation
- ▶ OEM

### Highlights

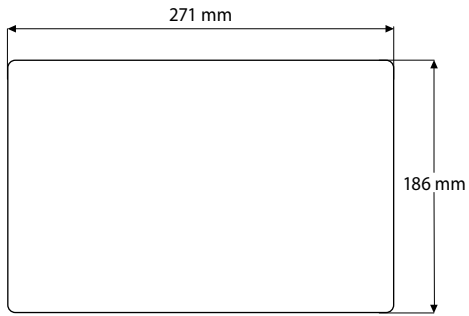
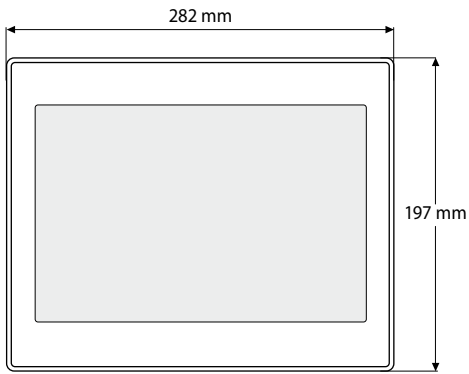
The PCD7.D5xxCF Series HMI products combine state-of-the-art connectivity features and top performance in a great design.

They have been designed to offer an outstanding price/performance ratio for challenging applications. They are the ideal choice for HMI applications including factory and building automation.

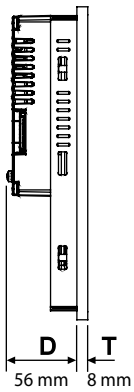
The glass projected capacitive touchscreen and the brilliant 10.1" widescreen display with resolution of 1280 × 800 guarantee great optical performance; with the support of multitouch gesture programming they can create the most natural human interfaces.



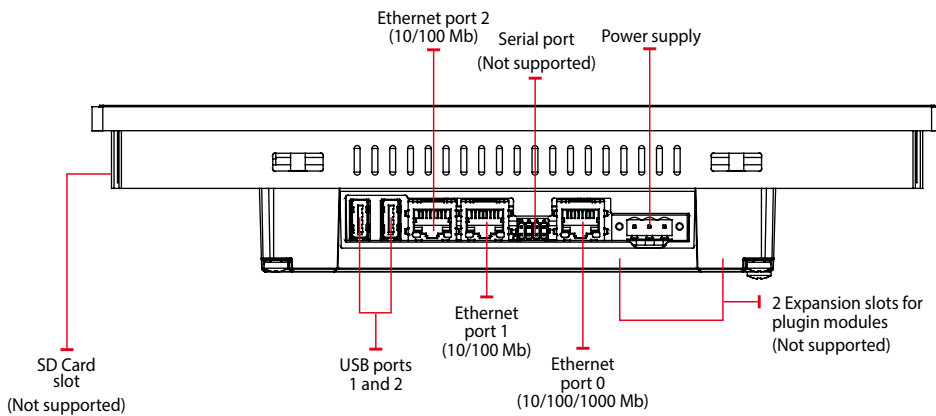
## Technical Data



Cut-out



| System Resources                     |  |
|--------------------------------------|--|
| Display - Colors                     | 10.1" TFT 16:9 LED - 16M   |
| Resolution                           | 1280 × 800, WXGA   |
| Brightness                           | 500 Cd/m <sup>2</sup> typ.   |
| Dimming                              | to 0%  |
| Touchscreen                          | True Glass Projected Capacitive, Multitouch  |
| CPU                                  | ARM Cortex-A9 dual core 800 MHz  |
| Operating System                     | Linux RT   |
| RAM                                  | 1 GB   |
| Flash                                | 4 GB   |
| Real Time Clock, RTC Back-up, Buzzer | Yes  |
| Interface                            |  |
| Ethernet port                        | 3 (port 0 - 10/100/1000, port 1 - 10/100, port 2 - 10/100)                                 |
| USB port                             | 2 (Host V2.0, max. 500 mA)   |
| Serial port                          | Not supported  |
| SD card                              | Not supported  |
| Expansion                            | Not supported  |
| Ratings                              |  |
| Power supply                         | 24 Vdc (10 to 32 Vdc)  |
| Current Consumption                  | 1.0 A at 24 Vdc (max.)   |
| Input Protection                     | Electronic   |
| Battery                              | Rechargeable Lithium battery, not user-replaceable   |
| Environment Conditions               |  |
| Operating Temp                       | -20° ... +60 °C (vertical installation)<br>USB devices may limit max temperature to +50 °C |
| Storage Temp                         | -20°C ... +70°C  |
| Operating / Storage Humidity         | 5 ... 85% RH, non condensing   |
| Protection Class                     | IP66 (front), IP20 (rear); Type: 12, 4X  |
| Dimensions and Weights               |  |
| Faceplate LxH                        | 282 × 197 mm (11.10 × 7.80")   |
| Cutout AxB                           | 271 × 186 mm (10.67 × 7.32")   |
| Depth D+T                            | 56 + 8 mm (2.20 + 0.33")   |
| Weight                               | 2.5 kg   |
| Approvals                            |  |
| CE                                   | Emission EN 61000-6-4, Immunity EN 61000-6-2 for installation in industrial environments   |
| UL                                   | Pending  |



## Ordering information

| Part Number | Type                                    | Description   |
|-------------|---|---|
| PCD7.D510CF | 10.1" HTML5 Web Panel, capacitive touch | 10.1" HTML5 Web Panel, TFT color, 1280 × 800 pixel, capacitive multi touch screen, 3 Ethernet port, 2 USB host port |

### Saia-Burgess Controls AG

Bahnhofstrasse 18 | 3280 Murten, Switzerland  
T +41 26 580 30 00 | F +41 26 580 34 99 | www.saia-pcd.com

support@saia-pcd.com | www.sbc-support.com

**Honeywell** | Partner Channel