

PCD7.D521CF

21.5" TFT – ARM Cortex A9 Quad Core
3 Ethernet, 2 USB ports

- ▶ 21.5" TFT color display
resolution 1920 × 1080 pixel
16M colors
Dimmable LED backlight
- ▶ Projected capacitive touchscreen
True glass design
Multitouch operation
- ▶ 3 Ethernet ports



Advantages

- ▶ High Cyber Security Level.
Protection from unauthorized accesses
- ▶ Modern HTML5 Browser based on Linux
- ▶ High quality, industrial grade. Long life cycle > 10 year
- ▶ Controllers, HMI and tools are harmonized and tested together
- ▶ HTML5 Chromium Browser to access PCD Web-Server or Saia PCD Supervisor
- ▶ Compatible with HTML5 Web-Editor Projects

Applications

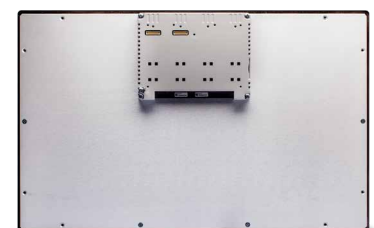
- ▶ Building automation
- ▶ Infrastructure automation
- ▶ OEM

Highlights

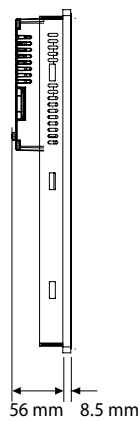
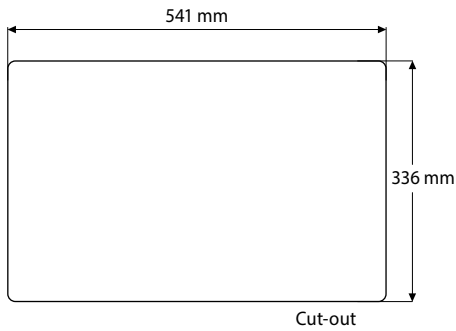
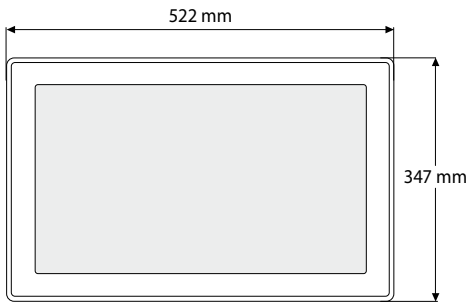
The PCD7.D5xxCF Series HMI products combine state-of-the-art connectivity features and top performance in a great design.

They have been designed to offer an outstanding price/performance ratio for challenging applications. They are the ideal choice for HMI applications including factory and building automation.

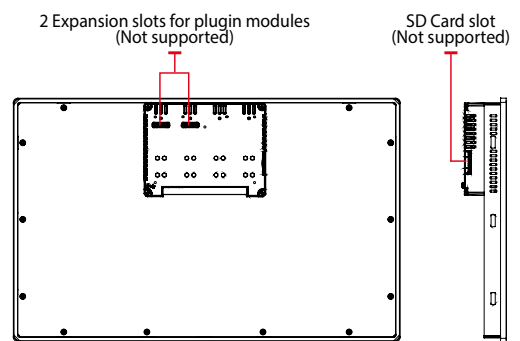
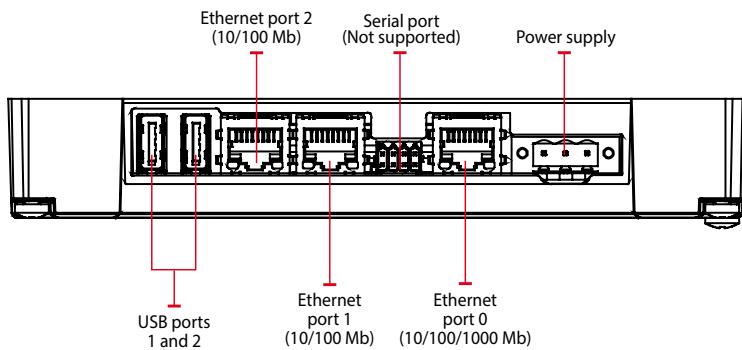
The glass projected capacitive touchscreen and the brilliant 21.5" widescreen display with resolution of 1920 × 1080 guarantee great optical performance; with the support of multitouch gesture programming they can create the most natural human interfaces.



Technical Data



Resources	
Display - Colors	21,5" TFT LED - 16M
Resolution	1920 × 1080, full HD
Brightness	300 Cd/m ² typ.
Dimming	to 0%
Touchscreen	True Glass Projected Capacitive, Multitouch
CPU	ARM Cortex-A9 quad core 800 MHz
Operating System	Linux RT
RAM	2 GB
Flash	8 GB
Real Time Clock, RTC Back-up, Buzzer	Yes
Interface	
Ethernet port	3 (port 0 - 10/100/1000, port 1 - 10/100, port 2 - 10/100)
USB port	2 (Host V2.0, max. 500 mA)
Serial port	Not supported
SD card	Not supported
Expansion	Not supported
Ratings	
Power supply	24 Vdc (10 to 32 Vdc)
Current Consumption	1.7 A at 24 Vdc (max.)
Input Protection	Electronic
Battery	Rechargeable Lithium battery, not user-replaceable
Environment Conditions	
Operating Temp	-20° ... +60 °C (vertical installation) Plug-in modules and USB devices may limit max temperature to +50 °C
Storage Temp	-20°C ... +70°C
Operating / Storage Humidity	5 ... 85% RH, non condensing
Protection Class	IP66 (front), IP20 (rear)
Type	12, 4X
Dimensions and Weights	
Faceplate L × H	552 × 347 mm (21,7 × 13,66")
Cutout A × B	541 × 336 mm
Depth D + T	56 + 8.5 mm
Weight	6.1 kg
Approvals	
CE	Emission EN 61000-6-4, Immunity EN 61000-6-2 for installation in industrial environments
UL	Pendent



Ordering information

Part Number	Type	Description
PCD7.D521CF	21.5" HTML5 Web Panel, capacitive touch	21.5" HTML5 Web Panel, TFT color, 1920 × 1080 pixel, capacitive multi touch screen, 3 Ethernet port, 2 USB host port

Saia-Burgess Controls AG

Bahnhofstrasse 18 | 3280 Murten, Switzerland
 T +41 26 580 30 00 | F +41 26 580 34 99 | www.saia-pcd.com
 support@saia-pcd.com | www.sbc-support.com

Honeywell | Partner Channel