

Saia PCD® Room-Panels

4.3" TFT / WQVGA

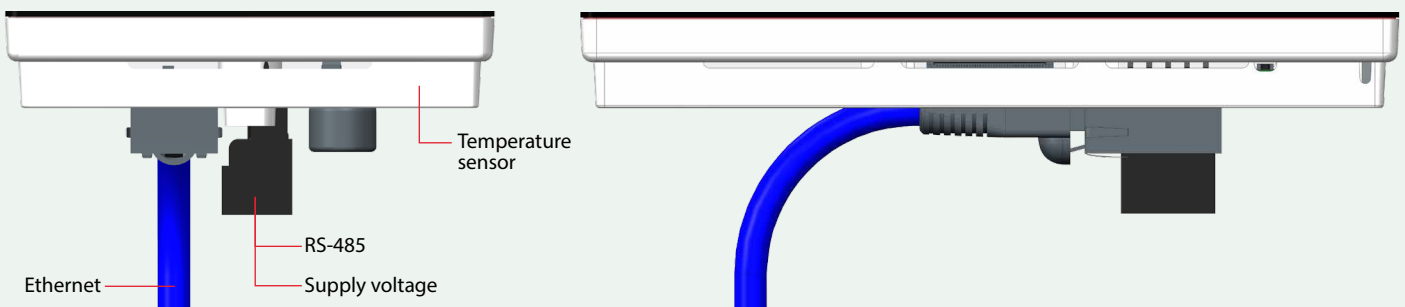
PCD7.D443WTPR / PCD7.D443WT5R

Attractively designed and fully programmable, the panels will fit beautifully into any room. Stand-alone room applications with the integrated logic controller enable users to control the room functions without a head-end station, and therefore the associated delays through long communication channels are avoided.



Main features

- ▶ Fully programmable visualisation with the Web Editor 8
- ▶ Fully programmable logic controller for stand-alone room applications
- ▶ Mounting in standard wall boxes
- ▶ Onboard temperature sensor
- ▶ Fast Coldfire CPU with 240 MHz
- ▶ TFT colours with a colour depth of 65,000
- ▶ Capacitive touchscreen technology for highly sensitive response



Mounting

The installation of the panels is carried out using an adapter included in the package on standardised, double-wall boxes.

Such as electrical material Type No. L 8102

HSB-Weibel AG No. 372 104 747

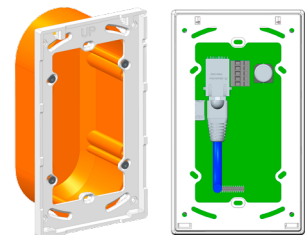
Agro No. 9922

Blass-Elektro No. 22031

Bticino No. 504E

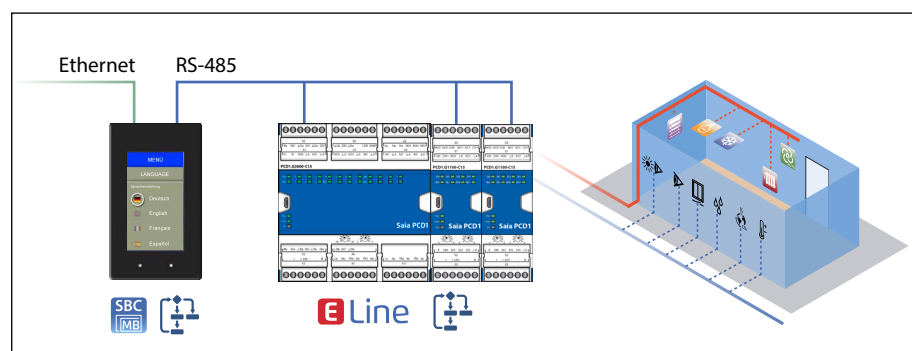
...

The panel is anchored in the adapter and can only be removed with the use of tools.



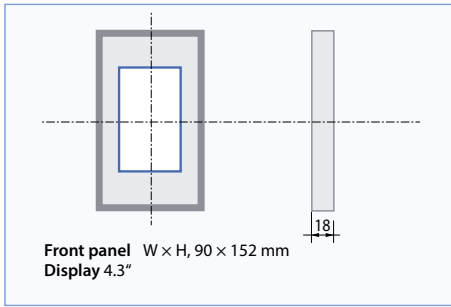
Application examples

Operation and control of stand-alone room applications. Implementation using the programmable micro browser room panel and the fully programmable E-Line modules. Connection based on the RS-485 interface to the E-line modules in the room, and Ethernet connection to the floor controller.

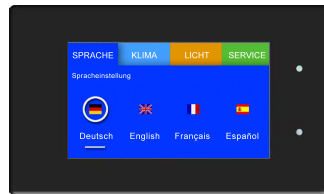


Dimensions

PCD7.D443WTPR



The panel can also be mounted transversely



The location of the panel can slightly influence the temperature measurement, an easy calibration allows to remedies this and so increases the accuracy.

In any case ensure that the ventilation slots are not obstructed.



Warning: To restrict the maintenance there is no internal battery on the devices and therefore the Media are non-retentive. However, the "EL Backup Restore Media" FBox from the E-Suite Library allows to easily backup in the non-volatile registers the values which has to be stored, like the adjust parameters.

Technical Data

	PCD7.D443WTPR	PCD7.D443WT5R
File system	4 MB	128 MB
Logic controller (no remanence)	No	Yes
User program, ROM/DB/Text	No	128 KB
RAM/DB/Text	No	128 KB
Media	No	16,384 flags / 16,384 registers
Memory for parameter (media) backup	No	1,000 non-volatile registers

General technical data

PCD7.D443WTxR

Operating system	Saia PCD® COSinus with micro browser expansion
Display	
Display size [inch]	4.3"
Resolution [pixels]	WQVGA / 480 × 272 pixels
Contrast adjustment	Yes
Background lighting	LED (dimming in 20 steps)
Touchscreen	PCAP technology
Interfaces	
USB	1 × (1.1 / 2.0)
Serial interfaces	RS-485 (only on PCD7.D443WT5R)
Ethernet	Ethernet 10/100 full-duplex, auto-sensing/auto-crossing
Real-time clock	Yes (SuperCap)
Sensors	
Temperature	Accuracy: ±1°C easy calibration
Power supply	
Supply voltage	24 VDC ±20%
Current draw	Approx. 4 watts / 160 mA
Environment	
Temperature range	Operation: 0...50°C typically Storage: -25...+70°C
Humidity	Operation: 10...80%, storage: 10...80%, non-condensing
Protection class	IP20
Mechanic	
Housing colour	black / Front black glossy
Weight	approx. 200 g

PCD7.D443WTPR	PCD7.D443WT5R

Saia-Burgess Controls AG

Bahnhofstrasse 18 | 3280 Murten, Switzerland
T +41 26 580 30 00 | F +41 26 580 34 99
www.saia-pcd.com

support@saia-pcd.com | www.sbc-support.com