

5.7" TFT/VGA Saia Programmable Web-Panel MB Saia PCD7.D457VT5F

Controls Division

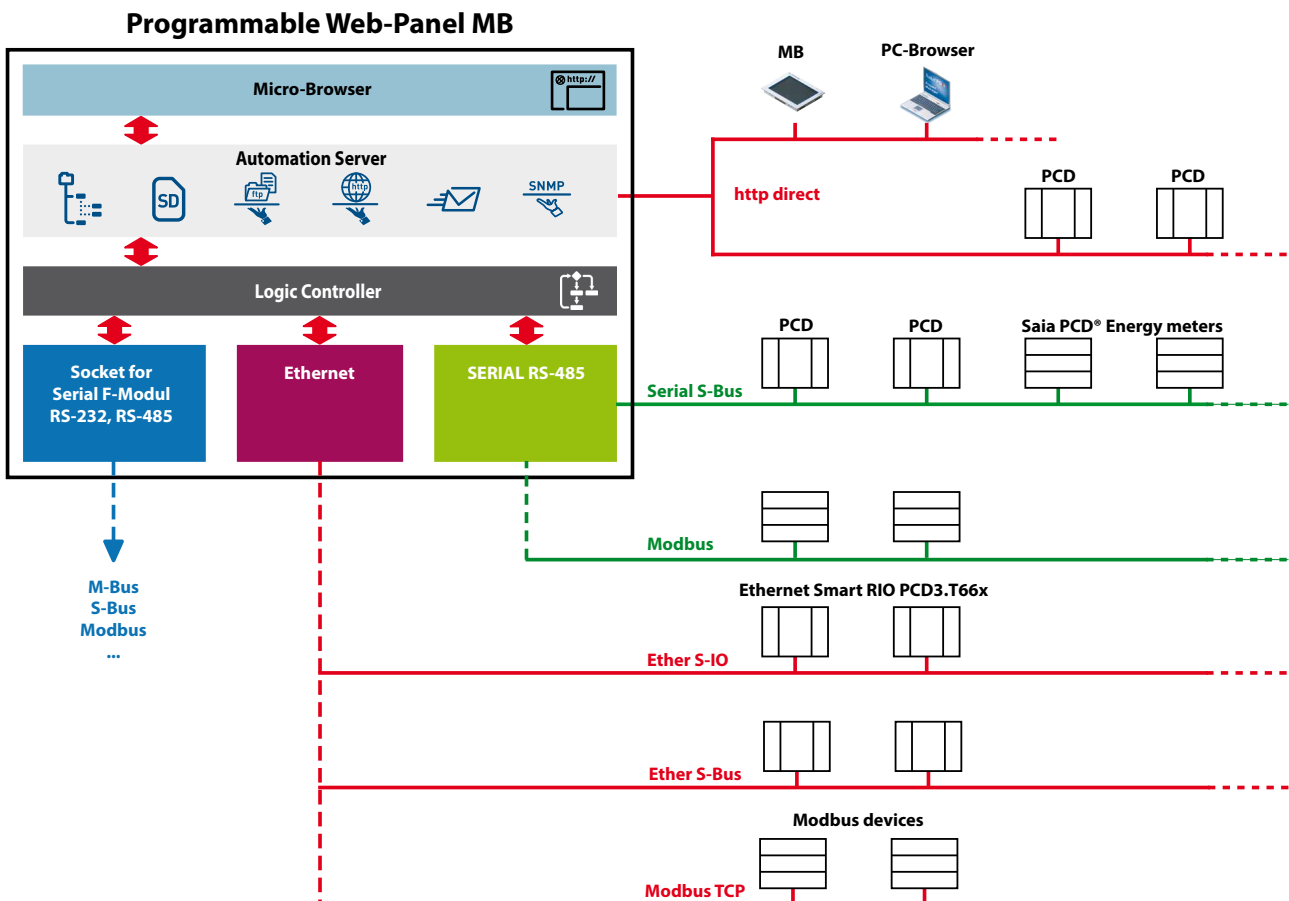


The new product type combines a Web-Panel and an Automation Server as well as control and management functions in one device. The integrated logic controller can be programmed with the software tool Saia PG5® to perform simple control applications or complex HMI functions.

With the integrated Automation Server, the large storage resources and multiple communication possibilities, this panel fits perfect as a management station and data concentrator.

The 5.7" programmable Web Panel MB has a high-quality TFT color display with VGA resolution (640 × 480 pixels) and LED backlight.

Block diagram (functionality)



Technical data

General data

Supply voltage	18...32 VDC
Current consumption	max 500 mA on 24 VDC
Protection class (front)	IP 65
Dimensions (W × H × D) mm	202 × 156 × 42
Cut-out (W × H) mm	189 × 142
Temperature range	Operations: 0...50 °C typical Storage: -25...+70 °C
Relative humidity	Operations: 10 to 80% Storage: 10 to 98% non condensing
Processor	Coldfire CF5373L, 240 MHz
Date-time (RTC)	Backup through battery for data retention
Battery	Lithium Renata CR2032 (Retention 1...3 year)

Display

Screen colors	65'536
Display	5.7" TFT
Resolution / Pixel	VGA 640 × 480
Touch screen	Four wire resistive touch screen
Contrast adjustment	Yes
Backlight	LED with a life cycle of 50 thousand hours

Logic Controller

User program, ROM /DB/text	1 MBytes
RAM DB/text	1 MBytes
Media	14'336 Flags / 16'384 Registers
Backup for user program	User program is always saved on integral µSD-Card and is therefore always backed up, even without battery!
User file system	128 MBytes on board
Program cycle time	10 cycles / sec maximum

Fieldbus Protocols

Serial-S-Bus, Ether-S-Bus, Ether-S-IO
Modbus RTU, Modbus ASCII or TCP, M-Bus

Internet Services

Browser	Saia Micro-Browser
HTTP Server	Visualisation with Web-Browser and Web-Panel
FTP-Server	Simple data exchange
TCP/IP	Efficient communication
SMTP Client	E-Mails with file attachments (e.g. Log-files)
DHCP and DNSClient	Easy connection to IP networks
SNTP Client	Synchronisation of internal clock

Synchronisation of internal clock

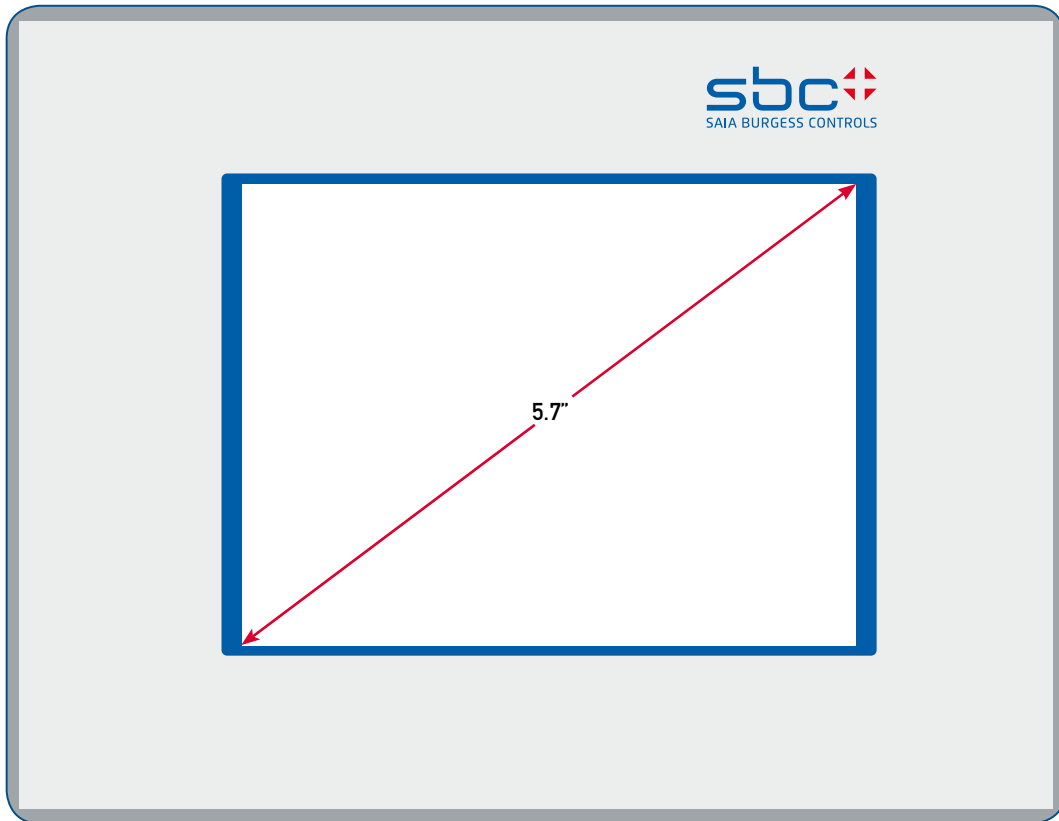
Ethernet 10 / 100 M	× 2 RJ45 (Switch)/http direct
USB 12 M	× 1 client
Serial up to 115 kB	RS-485 & socket for PCD7.F1xxS

Software

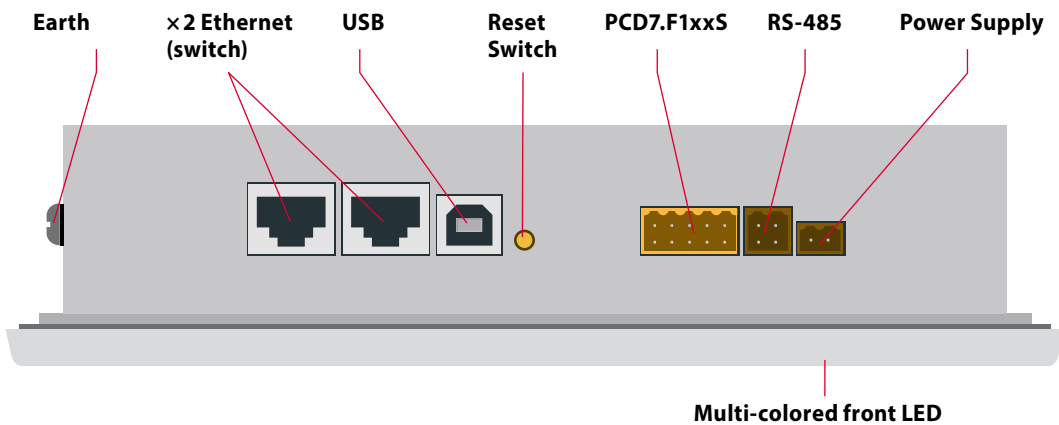
Saia PG5®	Programming tool for PLC applications (IL, FUPLA and GRAFTEC)
Saia Web-Editor	Graphics editor for Saia Micro-Browser



Front view

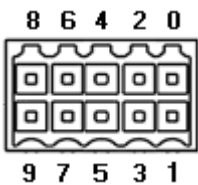


Installation



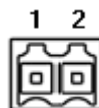
Connections

PCD7.F1xxS



Connector pins	Signal RS-232	Signal RS-485
0	GND	GND
1	TXD	D
2	RXD	/D
3	RTS	
4	CTS	
5	GND	GND
6	DTR	
7	DSR	
8	COM	
9	DCD	

Power Supply



Connector pins	Signal
1	24 V (+)
2	GND (-)

RS-485



Connector pins	Signal
1	GND
2	NC
3	/D
4	D

Order information

Model	Description	Weight
Programmable Web-Panel with embedded Saia Micro-Browser		
PCD7.D457VT5F	5.7" TFT VGA pWeb Panel MB with 65 K colors, LED backlight, 128 MB flash memory, x2 Ethernet (switch), USB, RS-485 and socket for PCD7.F1xxS, programmable with the software tool Saia PG5®	1100 g
Accessories		
PCD7.D457VT5F	Kit for on-wall-mounting	2420 g
PCD7.D457-OWS1	Kit for on-wall-mounting	1520 g



**Kit for on-wall-mounting
PCD7.D457-OWS**



**Kit for on-wall-mounting
PCD7.D457-OWS1**

Saia-Burgess Controls AG

Bahnhofstrasse 18 | 3280 Murten, Switzerland
T +41 26 672 72 72 | F +41 26 672 74 99
www.saia-pcd.com

pcdsupport@saia-pcd.com | www.sbc-support.com