



VPC2200

fanless

Industrial Automation - Products & Configurations

VPC2200 BASIC SYSTEM		POWER [W]
Basic configuration	15" LCD TFT • Touch-Screen • Intel Celeron J1900 2,0GHz • 2 GB RAM • fanless • 12 months warranty	33

VPC2200-E BASIC SYSTEM		POWER [W]
Basic configuration	15" LCD TFT • Touch-Screen • Intel Celeron J1900 2,0GHz • 2 GB RAM • 1 x MiniPCI • fanless • 12 months warranty	35

	V	VE		POWER [W]
PROCESSOR	•	•	Intel® Celeron® J1900 • 2,00 GHz (2,42 GHz Burst), 2MB L2 cache • 4 cores, 4 threads • Soldered on-board	
DISPLAY	•	•	15" LCD TFT 4:3 • XGA, 1024x768, 16M colors • backlight LED, 400 cd/m2 • Viewing angle L:R/U:L (typ): 80°:80°/80°:80°	
TOUCH-SCREEN	•	•	No Touch-Screen	+ 0
	•	•	15" Touch-Screen • 5 wires resistive technology • Controller integrated on board • Available also with Glass Film Glass > note 1	
RAM MEMORY	•	•	1 GB • 1 module SODIMM DDR3-1600	- 1
	•	•	2 GB • 1 module SODIMM DDR3-1600	
	•	•	4 GB • 1 module SODIMM DDR3-1600	+ 1
	•	•	8 GB • 1 module SODIMM DDR3-1600	+ 2
EXPANSION SLOTS	•	•	Without expansion slot	
	•	•	1 x MiniPCI for NETCore X fieldbus modules	
SIDE MODULES	•	•	Left side module • 2x4 matrix • holes Ø22 • custom label pockets	-
	•	•	Right side module • 2x4 matrix • holes Ø22 • custom label pockets	-
	•	•	Left and right side modules • 2x4 matrix • holes Ø22 • custom label pockets	-

OPTIONS				POWER [W]
	V	VE		
KEYBOARD	•	•	Keyboard module with 86 keys • US-international layout • antiglare protection • Emergency button predisposition (hole Ø22)	1
	•	•	Keyboard antiglare protection • single for replacement	-
SSD mSATA	•	•	SSD mSATA (U110/X110), SATA 3, 6Gb/s (Solid State Disk), MLC	2
CFAST	•	•	CFast SATA 2	1
ETHERNET PORT	•	•	1 x Ethernet 10/100/1000Mbps, Intel® I210 with installation kit	1
FIELDBUS	•	•	NETCore® X MiniAPCI fieldbus module • For technical details and supported drivers see pg.212	0
WARRANTY EXTENSION	•	•	Warranty extension to 18 months on basic system and its variants	
	•	•	Warranty extension to 24 months on basic system and its variants	
	•	•	Warranty extension to 36 months on basic system and its variants	

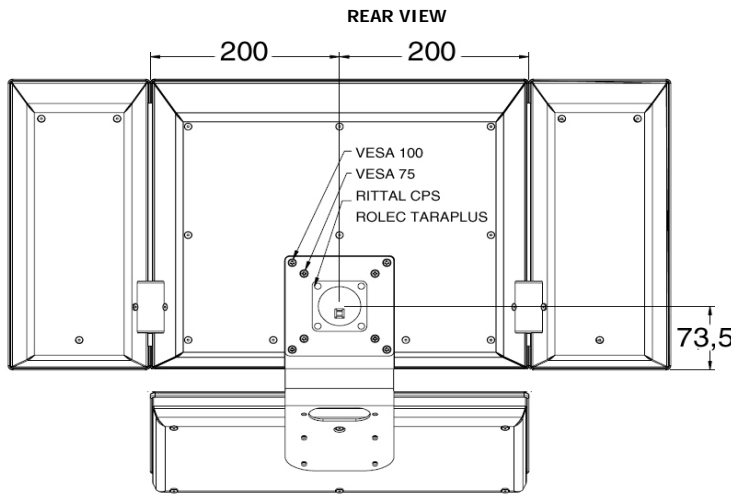
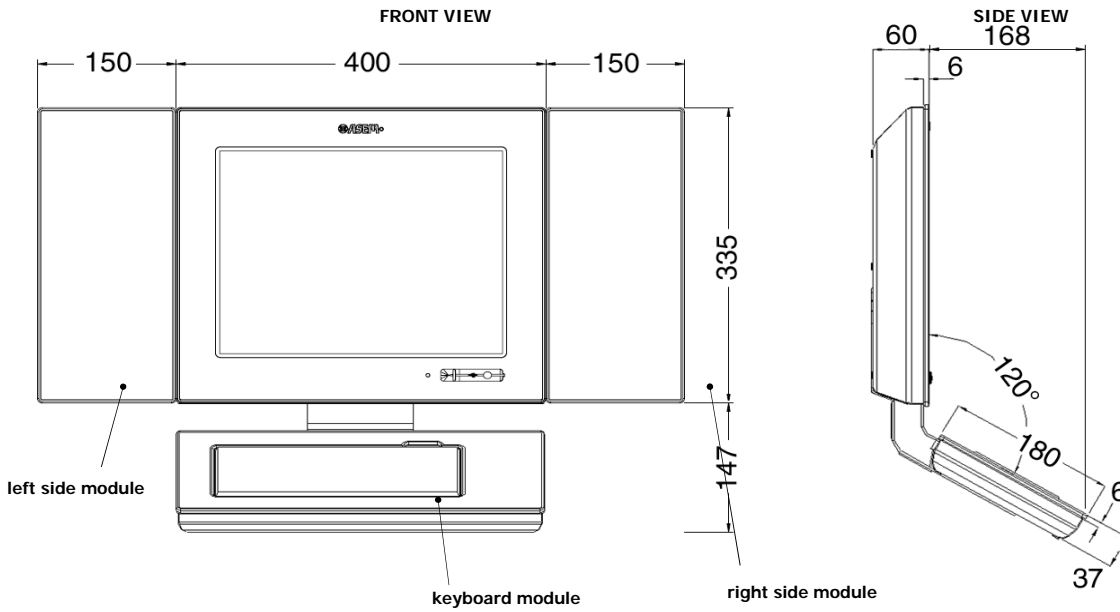
NOTES

1: Glass Film Glass (GFG) touch-screen option: see pg.191 for the differences with standard touch-screen configuration

TECHNICAL SPECIFICATIONS	
Case	For VESA / RITTAL CP-S / ROLEC TARAPLUS arm mounting - color RAL 7035
Overall dimensions & weight	See details on the related section
Front panel	Aluminum alloy with polycarbonate foil Pantone 429C color
Frontal protection	IP65 • also side modules and keyboard
Power supply	24VDC isolated • Input voltage: 18÷32V DC
Motherboard	"All-In-One" type • ASEM 954
Watch dog	Time programmable
Intel platform	Processor Intel® Celeron® J1900 • 2,00 GHz (2,42 GHz Burst), 2MB L2 cache • 4 cores, 4 threads • Soldered on-board
Operating System	O.S. certified by ASEM
	O.S. not supported by Intel platform
Operating System	Microsoft Windows 7 Pro/Ultimate 32/64bit • Microsoft Windows Embedded Standard 7E/7P 32/64 bit • Microsoft Windows Embedded Compact 7 Pro • Linux • Microsoft Windows 8.1 Industry Pro Other operating systems, such as VxWorks, QNX, etc., have not been certified by ASEM but they are reasonably supported by the Intel platform after verification of compatibility
Video controller	Intel® HD Graphics integrated into Intel® Celeron™ microprocessor • 688MHz • I/F digitale LVDS a 8bit/colore
Video memory	Dynamic Video Memory Technology • Memory quantity is automatically selected by operating system (max 1720 MB)
System memory	DDR3-1066 type • 1 SODIMM module • min 1GB • max 8GB
HDD/SSD interfaces	1 x mSATA 2, 3Gb/s
CFast slot	Only for VPC2200 1 x slot CFast (bootable) external access (remove rear panel before)
Bus expansion slots	Only for VPC2200-E 1 x MiniPCI
Frontal access interfaces	2 x USB 2.0 (Type A)
Rear internal access interfaces	2 x Ethernet 10/100/1000 Mbps (RJ45), Intel® I210 • 1 x USB 3.0 (Type A) • 2 x USB 2.0 (Type A) • 1 x DVI-I Single Link (max resolution: DVI-D/VGA 1920x1080 FullHD)
Rear internal access serial interfaces	1 x RS-232 (DB9M)
Environmental specifications	Operating temperature: 0° ÷ +45°C • Storage temperature: -20° ÷ +60°C • Humidity: 80% (non-condensing)
Approvals	CE (EN 55022, EN 61000-3-2/3, EN 55024, EN 60950-1)
Standard warranty	12 months • Warranty management by ASEM headquarters



DIMENSIONS (mm)



Weight (kg)

VPC2200	9,0
side module	2,0
keyboard	3,0

