



BM100

fanless

Industrial Automation - Products & Configurations

BM100-B BASIC SYSTEM (WALL BOOK MOUNT)				POWER [W]
Basic configuration	Intel® Atom® dual core x5-E3930 1,30 GHz • 4GB RAM • fanless • wall book mount • 24V DC isolated power supply • UBIQUITY BASIC Win32/64 runtime • 12 months warranty			14
BM100-D BASIC SYSTEM (DIN BOOK MOUNT)				POWER [W]
Basic configuration	Intel® Atom® dual core x5-E3930 1,30 GHz • 4GB RAM • fanless • DIN book mount • 24V DC isolated power supply • UBIQUITY BASIC Win32/64 runtime • 12 months warranty			14
BASE BM100-W BASIC SYSTEM (WALL MOUNT)				POWER [W]
Basic configuration	Intel® Atom® dual core x5-E3930 1,30 GHz • 4GB RAM • fanless • wall mount • 24V DC isolated power supply • UBIQUITY BASIC Win32/64 runtime • 12 months warranty			14
REMOTE ASSISTANCE	B	D	W	
	•	•	•	ASEM UBIQUITY BASIC Win32/64 runtime
PROCESSOR	•	•	•	Intel® Atom® x5-E3930 • 1,30 GHz (1,8 GHz Burst), 2MB smart cache • 2 cores, 2 threads • Soldered on board
	•	•	•	Intel® Atom® x7-E3950 • 1,60 GHz (2,00 GHz Burst), 2MB smart cache • 4 cores, 4 threads • Soldered on board
RAM MEMORY	•	•	•	2 GB LP-DDR4 • Soldered on board
	•	•	•	4 GB LP-DDR4 • Soldered on board
	•	•	•	8 GB LP-DDR4 • Soldered on board
MOUNTING	•	•	•	Wall book mounting kit
	•	•	•	DIN rail book mounting kit
	•	•	•	Wall mounting kit
OPTIONS				POWER [W]
SSD M.2	B	D	W	
	•	•	•	SSD M.2 onboard connector, SATA III, 6Gb/s (Solid State Disk), TLC
MOUNTING KIT	•	•	•	DIN rail book mounting kit • sold separately
	•	•	•	Wall book mounting kit • sold separately
	•	•	•	Wall mounting kit • sold separately
DisplayPort™ / DVI CABLES AND ADAPTERS > note 1	•	•	•	DisplayPort™/DVI -D (F) passive adapter cable • length 20cm • Requires a DVI cable (M/M) with a maximum length of 5m
	•	•	•	Kit cables 2m (DisplayPort™-DVI-D 2m / USB 2.0 2m) • with ferrite beads • note 2
	•	•	•	Kit cables 5m (DisplayPort™-DVI-D 5m / USB 2.0 5m) • with ferrite beads note 2
WARRANTY EXTENSION	•	•	•	Warranty extension to 18 months
	•	•	•	Warranty extension to 24 months
	•	•	•	Warranty extension to 36 months

NOTES

- The power consumptions are calculated considering the maximum absorbed power of each component. The power values does not include the absorbed power of USB devices
- With passive adapter cable the maximum resolution supported is 1920x1080 (FHD)
 - The cables kit allows to connect directly the IPC to a DVI-D monitor, without using any additional adapter.

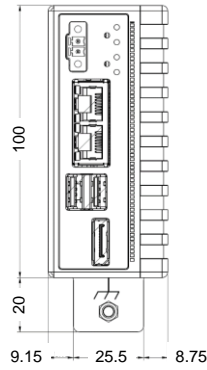
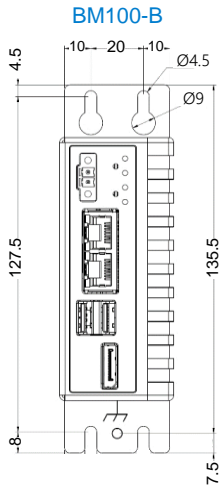
TECHNICAL SPECIFICATIONS

Case	Anodized aluminum for book, DIN rail or wall mounting
Overall dimensions & weight	See details on the related section
Power supply	24VDC Isolated • Input voltage 18÷32V DC
Motherboard	"All-In-One" type • ASEM 962
Watch dog	Time programmable
Intel platform Processor	Intel® Atom® dual and quad core up to 12W • Intel® Apollo Lake®
O.S.	O.S. certified by ASEM
	O.S. not supported by Intel platform
Software Remote assistance	ASEM UBIQUITY BASIC Win32/64 runtime license with ASEM sticker
Video Controller	Intel® HD Graphics 500 integrated into Intel® Atom™ x5-E3930 microprocessor • 400MHz / 550MHz
	Intel® HD Graphics 505 integrated into Intel® Atom™ x7-E3950 microprocessor • 500MHz / 650MHz
Video RAM (shared)	Dynamic Video Memory Technology • Memory quantity is automatically selected by operating system • Maximum memory depends on the OS version
System memory	LP-DDR4-2400/2400 type • soldered on-board • min 2GB • max 8GB
Mass storage	1 x onboard connector M.2 key B for SSD M.2 size 2242 SATA III, 6Gb/s
Front signalling (LED)	Power ON • SSD activity • Over temperature / Battery fault • Watchdog
Front buttons	System Reset • Watchdog Reset
Front I/F	2 x Ethernet 10/100/1000 Mbps (RJ45), 2 x Intel® I210 • 2 x USB 3.0 (Type A, max 0.9A) • 1 x DisplayPort™++ v1.2 (max resolution: 4096x2160@60Hz)
Environmental specifications	Operating temperature: 0° ÷ +55°C, 0° ÷ +50°C with x7-E3950 Storage temperature: -10° ÷ +60°C • Humidity: 80% (non-condensing)
Approvals	CE (EN 61326-1, EN 61010-1, EN 61010-2-201) • cULus LISTED (UL61010)
Standard warranty	12 months • Warranty management by ASEM headquarters

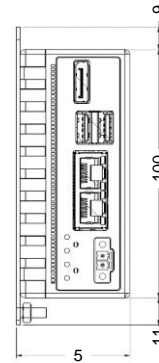


DIMENSIONS (mm)

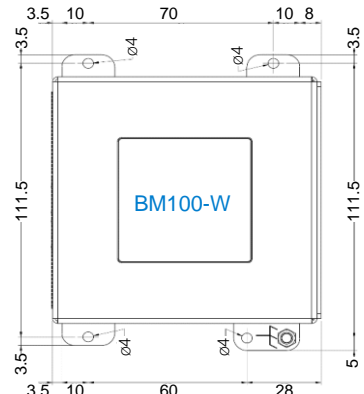
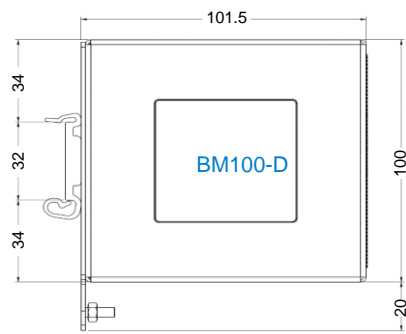
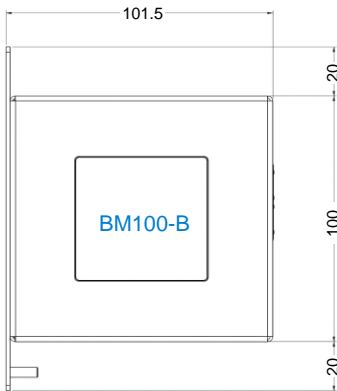
FRONT VIEWS
BM100-D



BM100-W



SIDE VIEWS



CONNECTORS VIEW

