


Industrial Automation - Products & Configurations

BASIC SYSTEM PB650/H1	
Basic Configuration	Intel Core 2 Duo T6400 • 2GHz • 1 GB RAM • Power Supply 230V AC • no expansion slots • 12 months warranty

BASIC SYSTEM PB650/H2	
Basic Configuration	Intel Core 2 Duo T6400 • 2GHz • 1 GB RAM • Power Supply 230V AC • no expansion slots • 12 months warranty

BASIC SYSTEM PB650/H3	
Basic Configuration	Intel Core 2 Duo T6400 • 2GHz • 1 GB RAM • Power Supply 230V AC • 2 x PCI • 12 months warranty

BASIC SYSTEM PB650/H4	
Basic Configuration	Intel Core 2 Duo T6400 • 2GHz • 1 GB RAM • Power Supply 230V AC • 3 x PCI, 1 x PCIe x4 • 12 months warranty

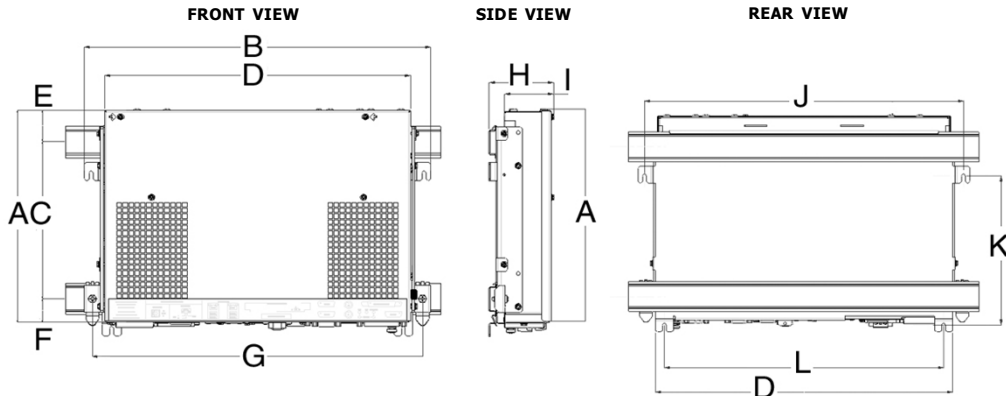
	H1	H2	H3	H4		
PROCESSOR	•	•	•	•	Intel Core 2 Duo T6400 • 2GHz, 800 MHz front side bus, 2 MB cache • 45nm • socket P	↓
	•	•	•	•	Intel Core 2 Duo T6600 • 2,2GHz, 800 MHz front side bus, 2 MB cache • 45nm • socket P	
	•	•	•	•	Intel Core 2 Duo T9500 • 2,6GHz, 800 MHz front side bus, 6 MB cache • 45nm • socket P	↓
RAM MEMORY	•	•	•	•	1 GB • 1 SODIMM module DDR2 PC6400	
	•	•	•	•	2 GB • 1 SODIMM module DDR2 PC6400	
	•	•	•	•	4 GB • 2 SODIMM modules DDR2 PC6400, 2GB each	↓
POWER SUPPLY	•	•	•	•	Input voltage 110÷230V AC • 140W, autoranging	
	•	•	•	•	Input voltage 18÷36V DC • 140W	↓
RAID CONTROLLER		•	•	•	Raid 0, 1	↓
EXPANSION SLOTS			•		2 x PCI half size • on riser card	↓
			•		1 x PCI, 1 x PCI-Express x4 format half size • on riser card	
			•	•	3 x PCI, 1 x PCI-Express x4 format half size • on riser card	↓
ENLARGEMENT KIT FOR CARD HOLDER CASE			•		With Kit • maximum overall dimensions for PCI and PCI-E add-on cards: 185 mm x 122 mm (l x h) > note 1	
			•	•	With Kit • maximum overall dimensions for PCI and PCI-E add-on cards: 185 mm x 122 mm (l x h) > note 1	↓

OPTIONS						
	H1	H2	H3	H4		
SSD 2,5"	•	•	•	•	Installation kit SSD 2,5" SATA (SSD not included)	↓
			•	•	Installation kit for second SSD 2,5" SATA (SSD not included)	
	•	•	•	•	SSD 2,5" SATA 2, 3Gb/s (Solid State Disk), MLC	
	•				Installation kit second SSD Half-Slim SATA, (Half-Slim SSD not included)	
	•				SSD Half-Slim SATA 2, 3Gb/s (Solid State Disk), MLC	↓
HDD 2,5"	•	•	•	•	Installation kit HDD 2.5" SATA (HDD not included)	
			•	•	Installation kit second HDD 2.5" SATA, (HDD not included)	
	•	•	•	•	HDD 320GB 2,5" • SATA 2, 3Gb/s • 5400rpm, 8 MB buffer • Advanced Format • 24x7	
	•	•	•	•	HDD 500GB 2,5" • SATA 2, 3Gb/s • 5400rpm, 8 MB buffer • Advanced Format • 24x7	
	•	•	•	•	HDD 320GB 2,5" • SATA 2, 3Gb/s • 5400rpm, 8 MB buffer • Advanced Format	
				HDD 500GB 2,5" • SATA 2, 3Gb/s • 5400rpm, 8 MB buffer • Advanced Format	↓	
COMPACT FLASH	•	•	•	•	Compact Flash UDMA (SLC)	↓
DVD REAR ACCESS			•		Kit DVD-RW SATA 8x4x24x10x Slim • height=0,5" • black bezel	↓
COMMUNICATION PORTS	•	•	•	•	Additional serial port (3rd) RS-232/422/485 • DB15 male connector > note 2	
	•	•	•	•	Additional serial port (3rd) RS-232/422/485 • RS-422/485 optoisolated • DB15 male connector > note 2	
	•	•	•	•	Parallel port SPP-EPP-ECP bidirectional • DB25 male connector > note 2	↓
FIELDBUS	•	•	•	•	NETcore® X for MB1021 fieldbus module • For technical details and supported drivers see pg.170	↓
WARRANTY EXTENSION	•	•	•	•	Warranty extension to 18 months on basic system and its variants	
	•	•	•	•	Warranty extension to 24 months on basic system and its variants	
	•	•	•	•	Warranty extension to 36 months on basic system and its variants	↓

NOTES	
1:	Maximum overall dimensions for PCI and PCI-E add-on cards WITHOUT ENLARGEMENT KIT : 185 mm x 107 mm (l x h). The enlargement kit increase the depth of the system.
2:	Additional serial ports RS-232/422/485 and parallel port cannot be installed together



TECHNICAL SPECIFICATIONS	
Case	Wall and DIN rail mount
Overall dimensions & weight	See details on the related section
Motherboard	"All-In-One" type • ASEM 1021/GA • hardware system for temperature and voltage board diagnostics
Watch dog	Time programmable
Intel platform	Processor: Intel® Core™ 2 Duo T6400 (2GHz) • Intel® Core™ 2 Duo T6600 (2,2GHz) • Intel® Core™ 2 Duo T9300 (2,5GHz) • Intel® Core™ 2 Duo T9500 (2,6GHz) chipset: Intel® 965 GME + ICH8EM
Operating System	Microsoft Windows 7 Pro/Ultimate 32-64bit • Windows XP Pro 32bit • Microsoft Windows Embedded Standard 7E/7P 32-64bit • Windows Embedded Standard 2009 (Xpe SP3) 32bit • Microsoft Windows CE 6.0 Pro O.S. certified by ASEM Other operating systems, such as Linux, VxWorks, QNX, etc., have not been certified by ASEM but they are reasonably supported by the Intel platform after verification of compatibility O.S. not supported by Intel platform: Microsoft Windows 2000 / 98 / NT
Graphic accelerator engine	Intel® GMA X3100 (Integrated on-chip Intel® 965 GME)
Video Controller	Integrated on-chip Intel® 965 GME, VGA standard analog interface (external port) and LVDS 8bit/color digital interface for TFT LCD (internal socket) and DVI (external)
Video Memory shared	max 256 MB selectable in system setup
System memory	DDR2 type • 2 x SODIMM modules, 200 pin • PC5300 • min 1GB • max 4GB
Raid controller	Integrated on-chip Intel® ICH8EM • Raid 0, 1 (optional)
Mass storage interfaces	1 x ATA/100 (Master, Slave) • 3 x SATA 2.3Gb/s
Compact Flash Slots	1 x Compact Flash type II slot, rear access
Options predisposition	Parallel and serial (also optoisolated) interfaces, as provided in the additional options
Rear access interfaces	2 x PS/2 (K/M) • 2 x Ethernet 10/100/1000 Mbps (RJ45) • 4 x USB 2.0 (Type-A) • 1 x VGA analog (DB15F - 2048x1536 QXGA 60Hz) • 1 x DVI-D Dual link (1920x1080 FHD)
Rear access serial interfaces	2 x RS-232 (DB9M)
Environmental specifications	Operating temperature: 0° ÷ +50°C, 0°C ÷ +45°C with 24x7 HDD, +5°C ÷ +45°C with standard HDD • Storage temperature: -20° ÷ +60°C • Humidity: 80% (non-condensing)
Approvals	CE (EN 55022, EN 61000-3-2/3, EN 55024, EN 60950-1) • cURus (60950-1)
Standard warranty	12 months • Warranty management by ASEM headquarters

DIMENSIONS (mm)


	A	B	C	D	E	F	G	H	I*	J	K	L	Weight (kg)
H1	236	370	175	327	34,5	26	352	60,5	44,5	355	174	311	4,8
H2	236	370	175	327	34,5	26	352	78,5	62,5	355	174	311	5,1
H3	236	370	175	327	34,5	26	352	117	101	355	174	311	6,4
H4	236	370	175	327	34,5	26	352	160	145	355	174	311	8,0

* with enlargement kit: +17,5mm (H3) or +22mm (H4)

CONNECTORS VIEW - H3
