

LBM40

Entry level Book Mounting PAC ARM Cortex A9 multicore processor family

LBM40 - Highlights



- **CODESYS SP SoftPLC** WinCE runtime versions
 - EtherCAT Master, MODBUS TCP Master, MODBUS RTU Master, CANopen Master
 - Cycle time ≥ 2 ms; Jitter ± 300 μ s
- **ASEM UBIQUITY Pro** WinCE remote assistance software
- **Windows Embedded Compact 7 Pro** operating system with Datalight Reliance Nitro file system
- **ARM Cortex A9 i.MX6 1,00 GHz Dual Lite** dual core processor
- **Memory system**
 - 1 GB RAM DDR3
 - 4 GB eMMC (SSD Pseudo-SLC)
 - 512 kB MRAM for automatic backup of retentive&persistent variables
 - 1 MicroSD slot internal access
- **Front interfaces**
 - 1 x Ethernet 100 Mbps for EtherCAT and MODBUS TCP
 - 1 x Ethernet 10/100/1000 Mbps for MODBUS TCP
 - 2 x USB 2.0
 - 1 x DVI-D
 - 1 x RS232/RS485 isolated (DB15M) for MODBUS RTU - LBM40 ES
 - 1 x CAN isolated (DB9M) with terminations for CANopen - LBM40 EC
- **Isolated 24V DC Power supply** input with **MicroUPS** function for micro-interruption with supercapacitors



LBM40 – Technical features



	LBM40 E	LBM40 ES	LBM40 EC
Control Software	SoftPLC CODESYS SP v3.5x SoftPLC + SoftMotion CODESYS SP v3.5x SoftPLC+ SoftMotion + CNC CODESYS SP v3.5x		
Supported protocols	EtherCAT Master, MODBUS TCP Master	EtherCAT Master, MODBUS TCP Master, MODBUS RTU Master	EtherCAT Master, MODBUS TCP Master, MODBUS RTU Master, CANopen Master
Remote Assistance SW	ASEM UBIQUITY PRO		
O.S.	Windows Embedded Compact 7 Pro with Datalight Reliance Nitro file system		
CASE	Plastic for book DIN rail mounting		
PROCESSOR	ARM Cortex A9 multicore processor NXP® i.MX6 Dual Lite 1 GHz		
SYSTEM MEMORY - RAM	1 GB with DDR3 chips soldered		
RETENTIVE MEMORY - MRAM	512 kByte magnetoresistive memory Retentive & persistent variables automatic backup at every system switch-off and/or power supply interruption		
MASS STORAGE	4 GB eMMC (Solid State Disk Pseudo-SLC) 1 x MicroSD slot (internal access)		
FIELDBUS PORTS	LAN1 - 1 x Ethernet 100 Mbps (RJ45) for EtherCAT and MODBUS TCP LAN2 - 1 x Ethernet 10/100/1000 Mbps (RJ45) for MODBUS TCP		
	-	1 x RS485/485 isolated (DB15M) for MODBUS RTU	1 x CAN isolated (DB9M) with terminations for CANopen
USB	2 x USB 2.0 (Type-A)		
VIDEO OUTPUT	1 x DVI-D		
POWER SUPPLY INPUT MicroUPS	24VDC isolated Backup function for micro-interruption with supercapacitors Max interruption: 500ms; First load: 30"; Rearm time: 15"		
OPERATING TEMPERATURE	0°- 50°C		
APPROVALS	CE, cULus LISTED (61010) pending		

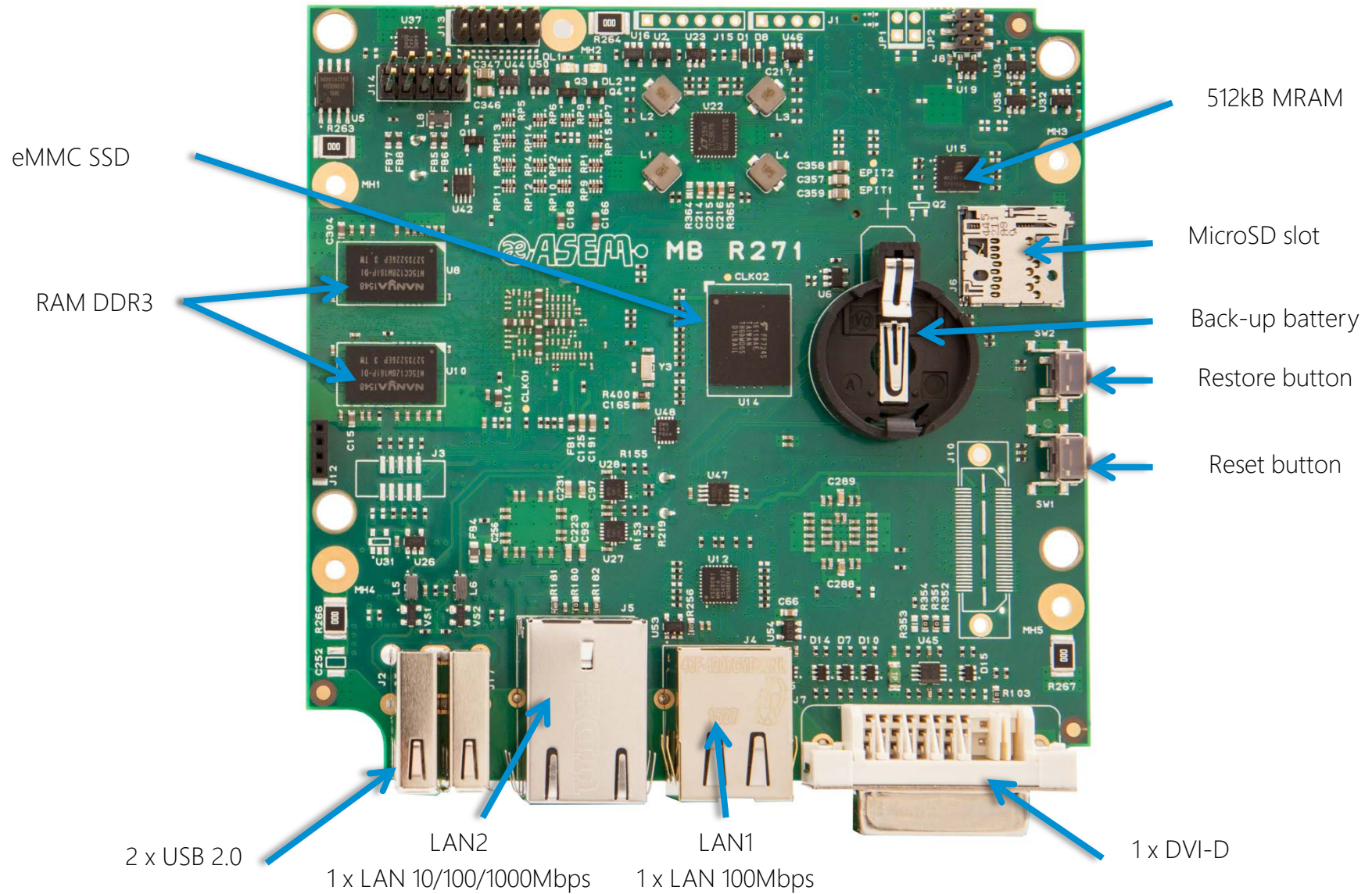


LBM40 – Electronic boards

- Motherboard R271/A
 - CPU
 - Memories
 - Interfaces connectors
- Power supply board
 - Power supply section
 - MicroUPS with supercapacitors
 - Signaling LEDs
 - RS232/485 or CAN port

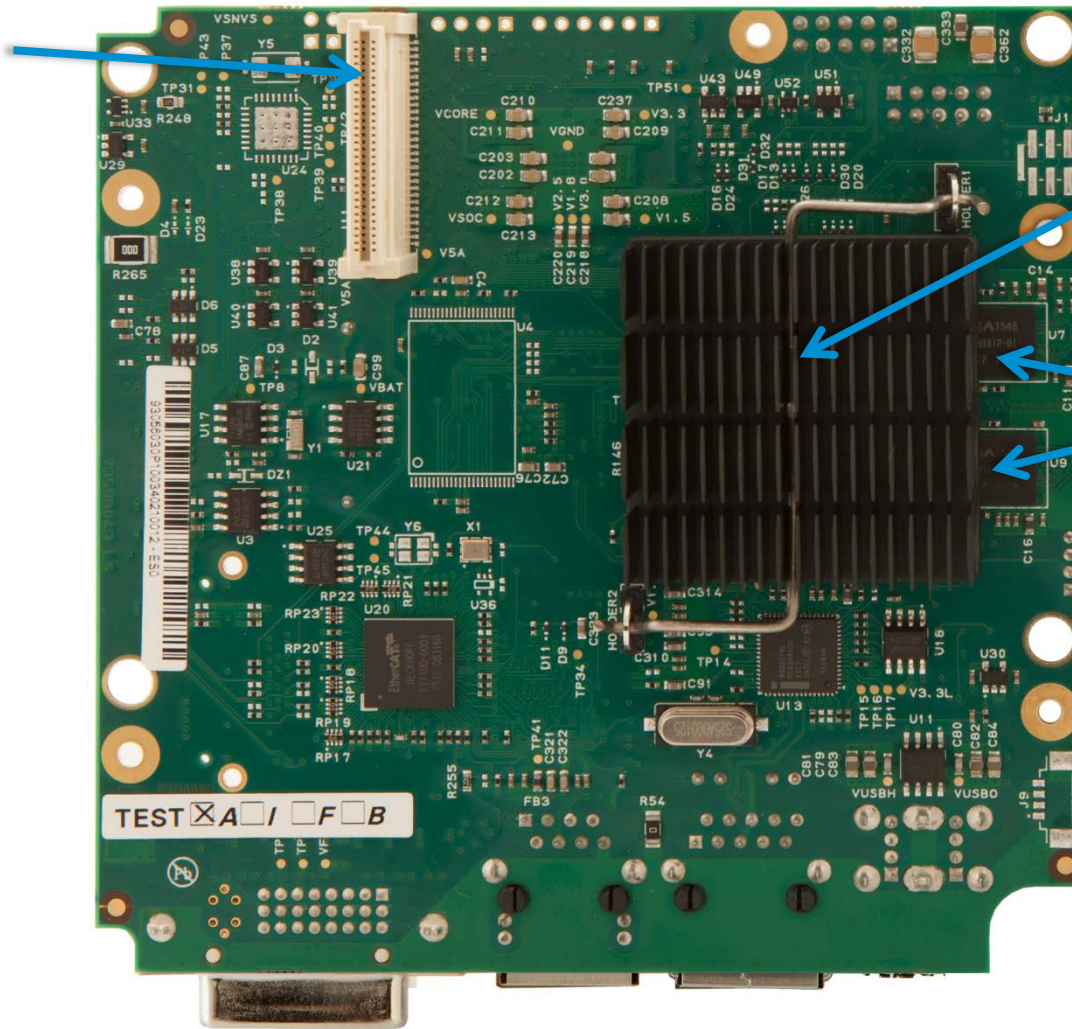


LBM40 - Motherboard R271/A, top



LBM40 - Motherboard R271/A, bottom

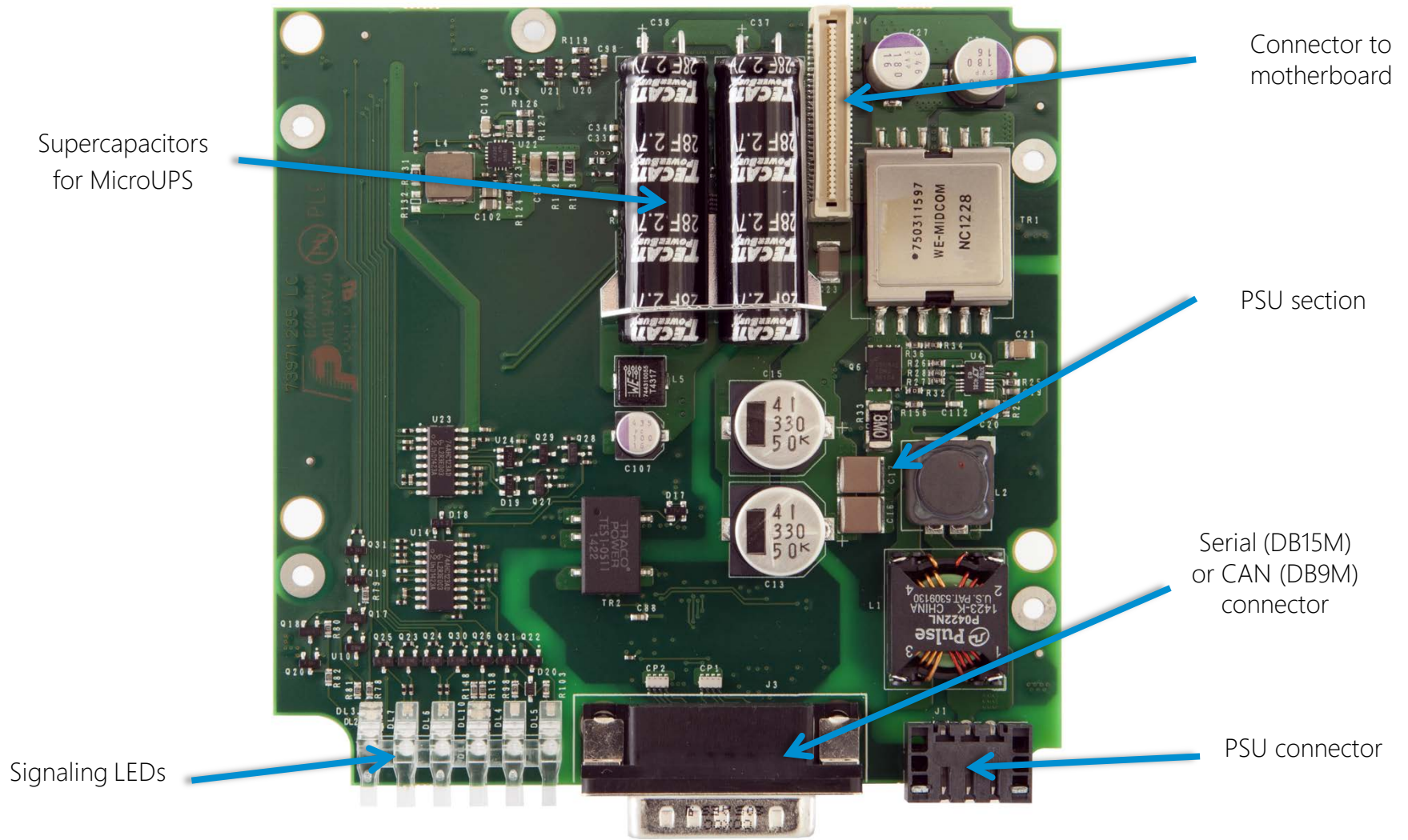
Connector to power supply board



ARM i.MX6 processor

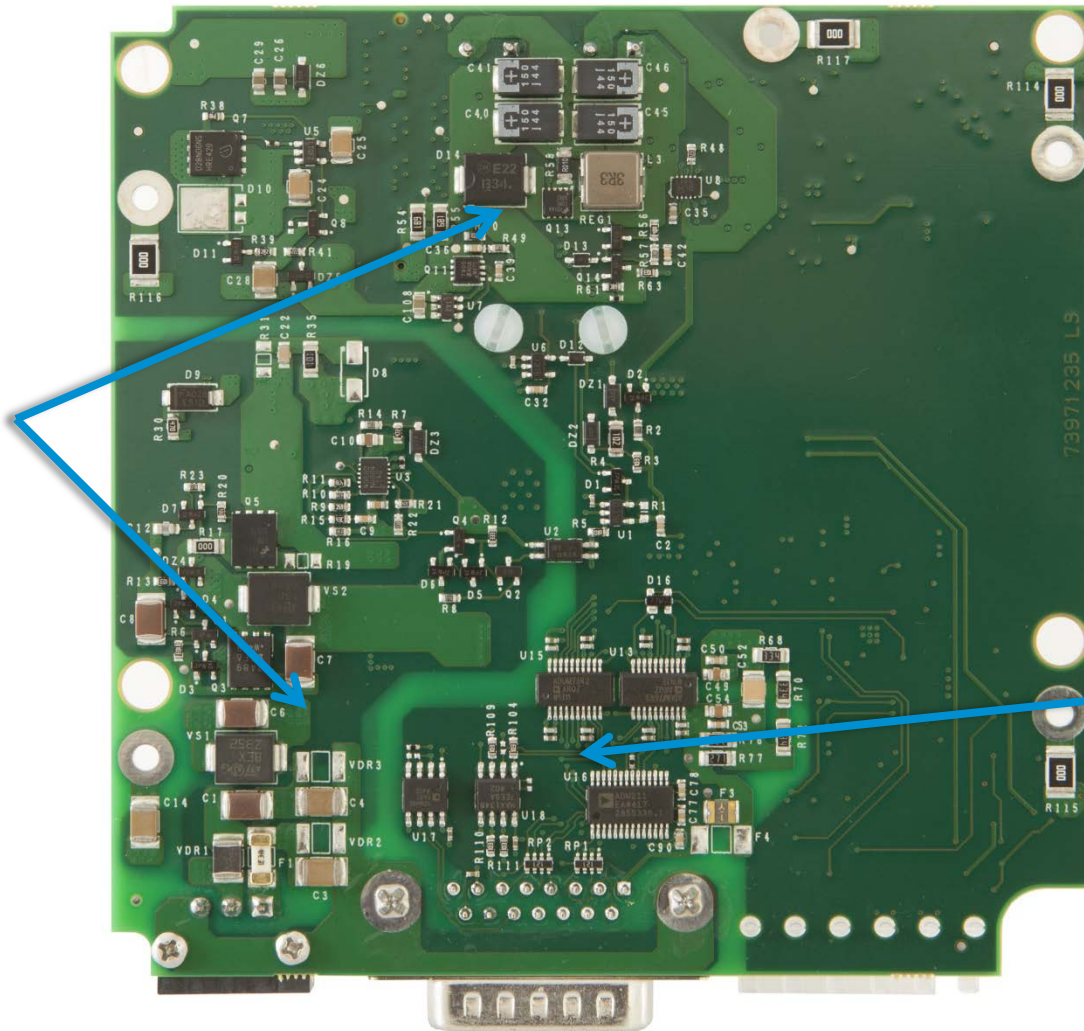
RAM DDR3

LBM40 – Power supply board, top



LBM40 – Power supply board, bottom

PSU section

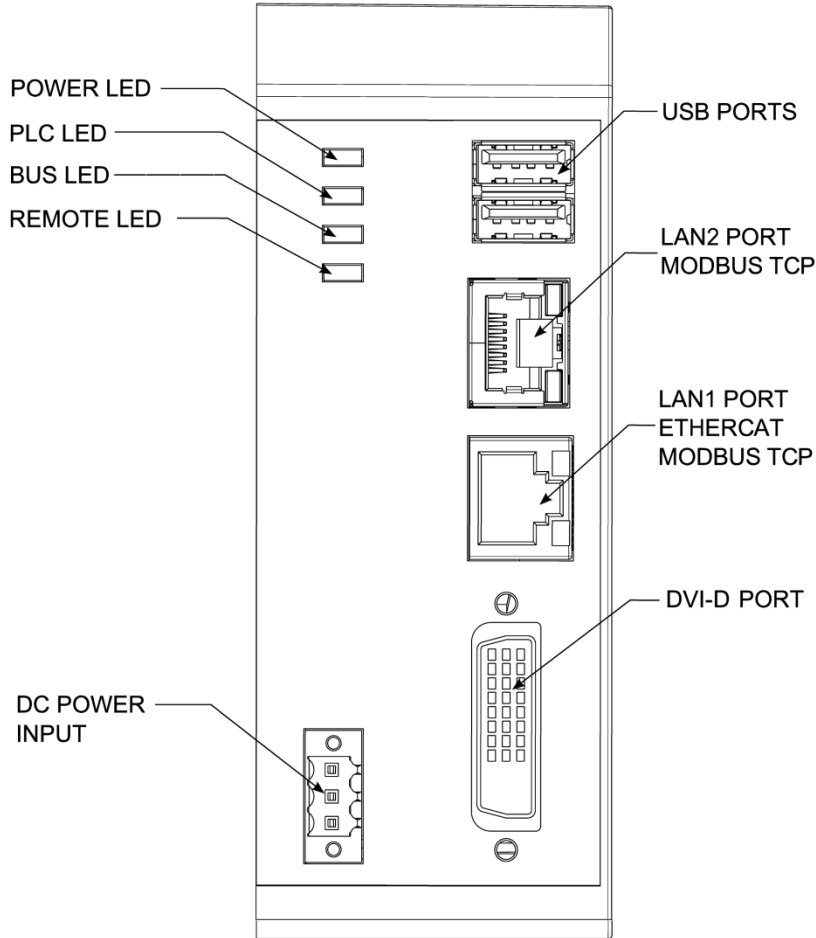


Serial or CAN section

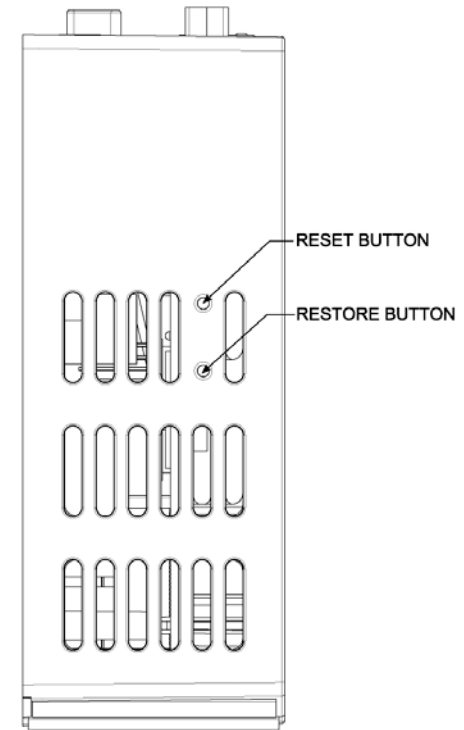
LBM40 – Interfaces & Connectors

LBM40 E

FRONT VIEW

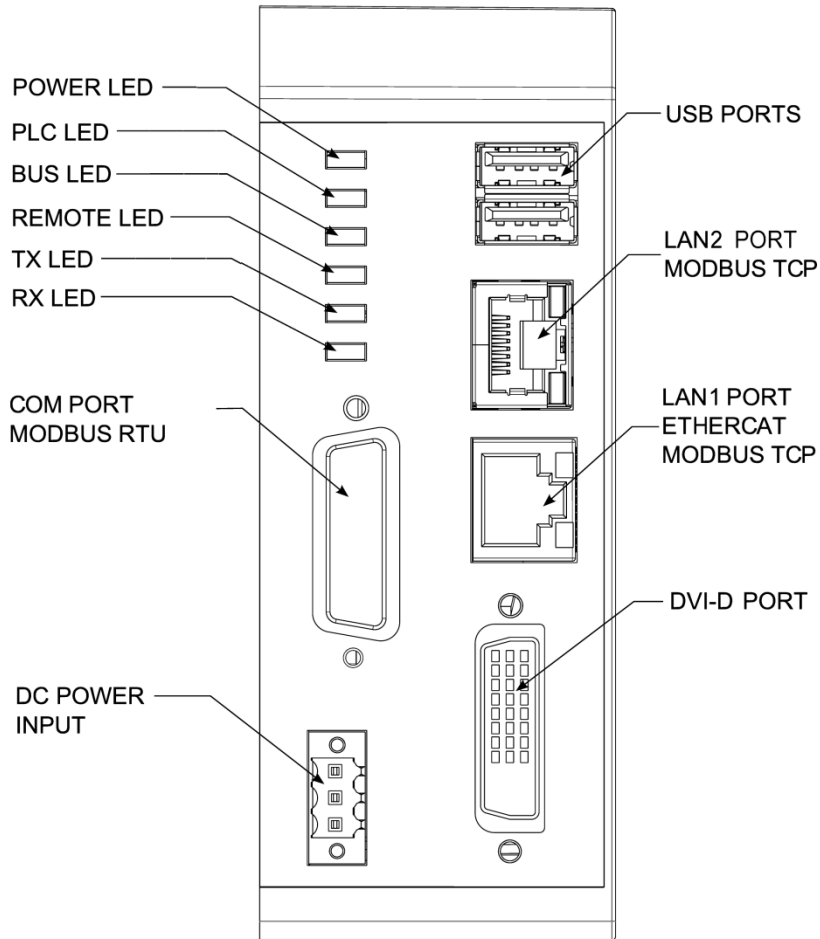


BOTTOM VIEW

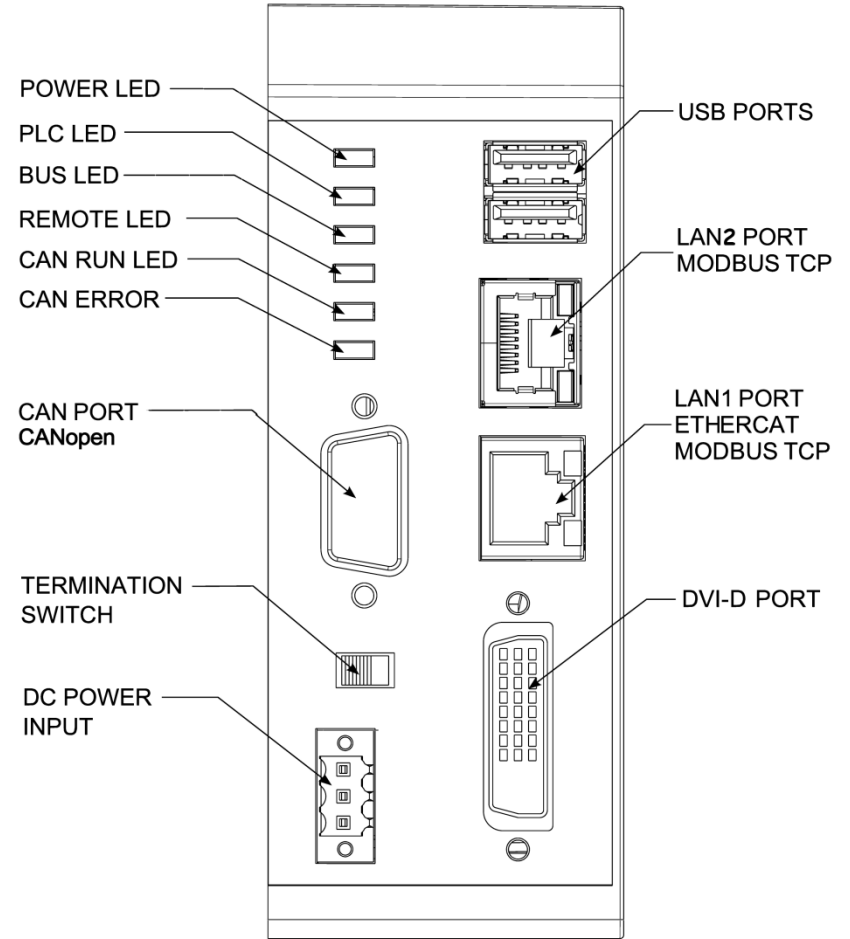


LBM40 – Interfaces & Connectors

LBM40 ES



LBM40 EC



ASEM S.p.A.
Via Buia 4
33011 Artegnina (UD)
Italy
Tel. +39/0432-9671

industrialautomation@asem.it
www.asem.it

