

MK100/MKR100 Families

New arm mounting monitor also with remotation up to 100m of video and USB signals



DIGITAL AUTOMATION TECHNOLOGIES

MK100/MKR100 - Highlights



- **Arm mounting monitor**
- **16 mln colors LED backlight TFT LCD displays**
 - 15,6", 18,5", 21,5", 24" (16:9 aspect ratio)
- **Full IP65** protection grade in a slim shape chassis with only 65mm depth
- **Resistive** touchscreen (TF) or **glass P-CAP multi-touch** touchscreen (TFM)
- **Easy mounting** (one person)
- **Easy access** to interfaces and **easy cabling**
- **MKR100: remotation** of DVI-D and USB 2.0 signals **up to 100mt** with **Cat 5e/Cat 6A** cable
- Integrated section (Button Area) dedicated to **emergency stop button, RFID interface, buttons, single indicators, switches, keys, buzzer** or **front USB ports with easy access for maintenance**

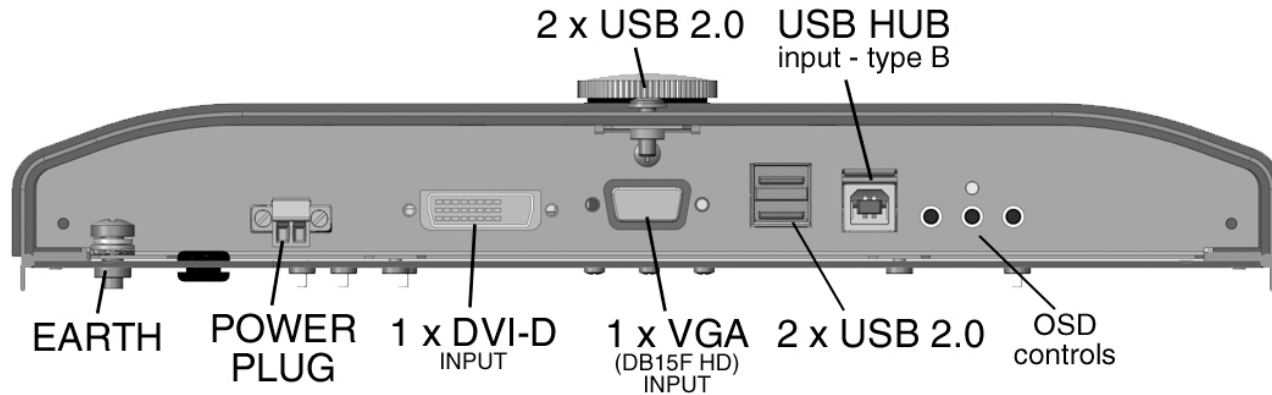
MK100/MKR100 - Features



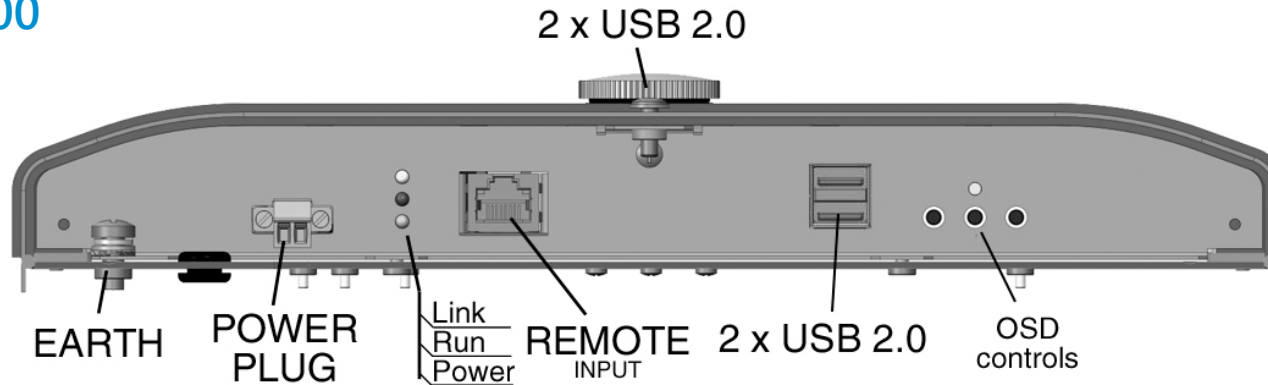
	MK100-TF	MK100-TFM	MKR100-TF	MKR100-TFM
LED backlight TFT LCD	15.6" – HD / FHD 18.5 – HD / FHD 21.5" – FHD	15.6" – HD / FHD 18.5 – HD / FHD 21.5" – FHD 24" – FHD	15.6" – HD / FHD 18.5 – HD / FHD 21.5" – FHD	15.6" – HD / FHD 18.5 – HD / FHD 21.5" – FHD 24" – FHD
TOUCH-SCREEN	Resistive 5 wires	P-CAP Multitouch, 4 fingers	Resistive 5 wires	P-CAP Multitouch, 4 fingers
T/S CONTROLLER	USB			
FRONT PANEL	True Flat Aluminum	True Flat Aluminium and Glass	True Flat Aluminum	True Flat Aluminium and Glass
PROTECTION GRADE	Full IP65			
REAR COVER	Rear closing cover for connectors access with Ø 19mm hole and IP65 rubber cap for the possible USB devices cabling at customer own charge (optional)			
VIDEO INPUT	1 x VGA 1 x DVI-I		1 x RJ45 RVL input for remotation with Cat 5e / 6A cable	
USB	2 x USB 2.0 (Type-A, rear, protected, IP65) 2 x USB 2.0 (Type-A, rear, inside chassis)			
CASE	Installation Arm systems Material Color Handles Keyboard tray	For pole (Bottom) or suspension (Top) arm mounting system Compatible with RITTAL CP 40, ROLEC TARAPLUS , HASEKE ULT KUPPLUNG 48 Aluminum alloy EN AB46400 Anti-scratchable painted - RAL 9006 Aluminium side handles, rectangular section (optional) Aluminium perimetral protection handle, circular section (optional for 21,5") Keyboard tray support (optional for 21,5")		
BUTTONS AREA (Optional)	Illuminated pushbutton, signal indicators, switches and interfaces on the front panel are optional. 1 x Emergency stop button (always hard wired) 1 x RFID (internally connected to USB) max 2 x USB ports Max 8 elements among signal indicators, push buttons, emergency stop button, keys and switches.			
REMOTATION	-		Remotation of DVI-D and USB 2.0 signals up to 100mt with Cat 5e cable	
POWER SUPPLY UNIT	24VDC isolated			
OPERATING TEMPERATURE	0° ÷ +50°C			
APPROVALS	CE, cULus (pending)			

MK100/MKR100 - Internal connectors & interfaces

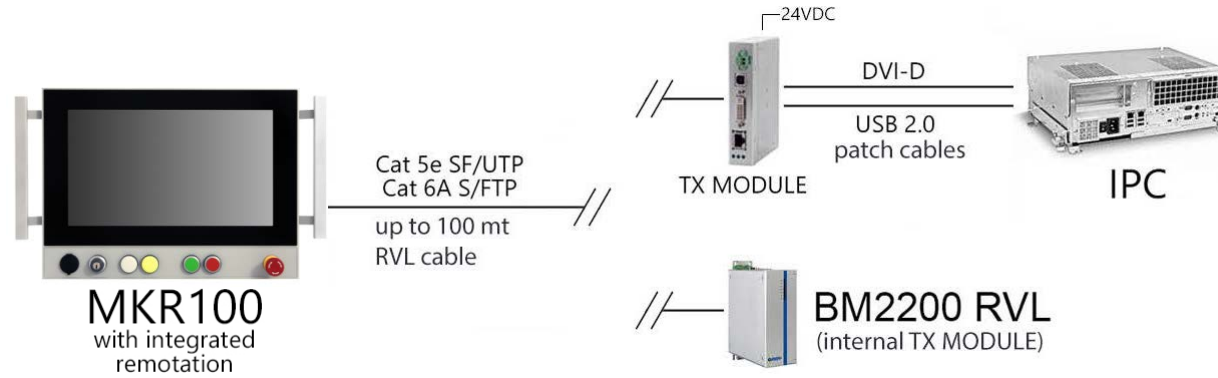
MK100



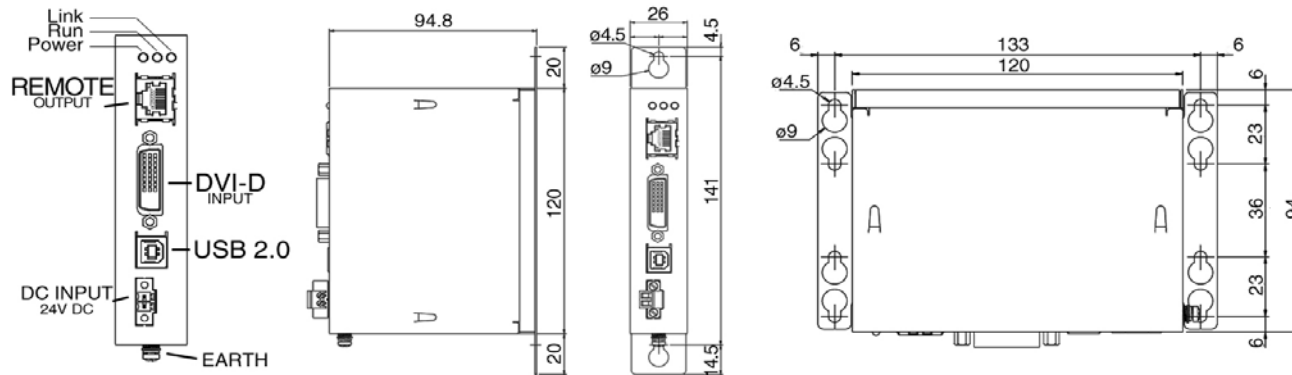
MKR100



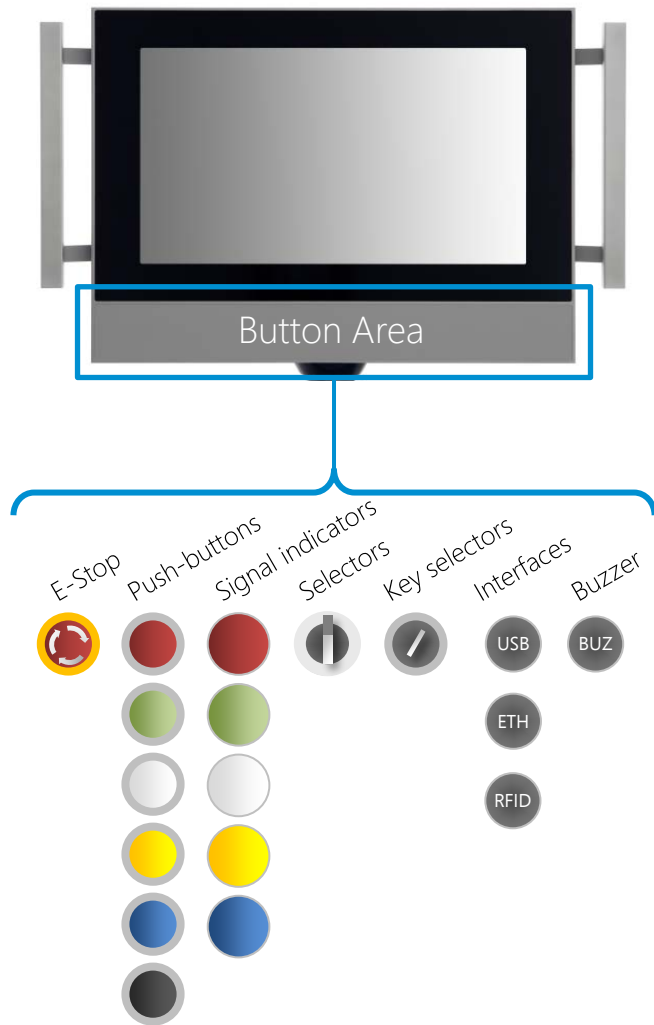
MKR100 – RVL connection scheme



RVL external transmission module (TX)



MK100/MKR100 – Button Area



- It's the area in the bottom part of the MK100/MKR100 system front panel.
- It can be freely configured with signal indicators, push-buttons, emergency stop button, selectors and interfaces. Just some constrain in quantity and position are requested.
- The elements are connected to rear terminal blocks or directly to the system.
- Each Button Area configuration is a custom part.

See Button Area documentation for further details

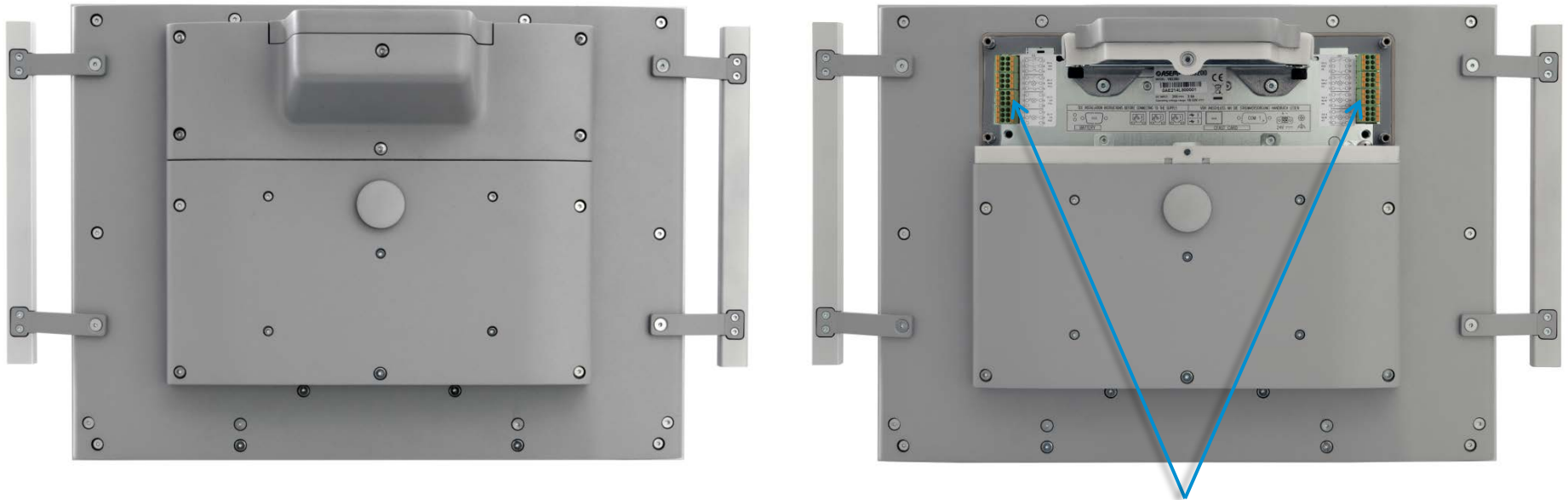
MK100/MKR100 – Button Area terminal blocks 1/2



For pole arm mounting system

MK100/MKR100 – Button Area terminal blocks 2/2

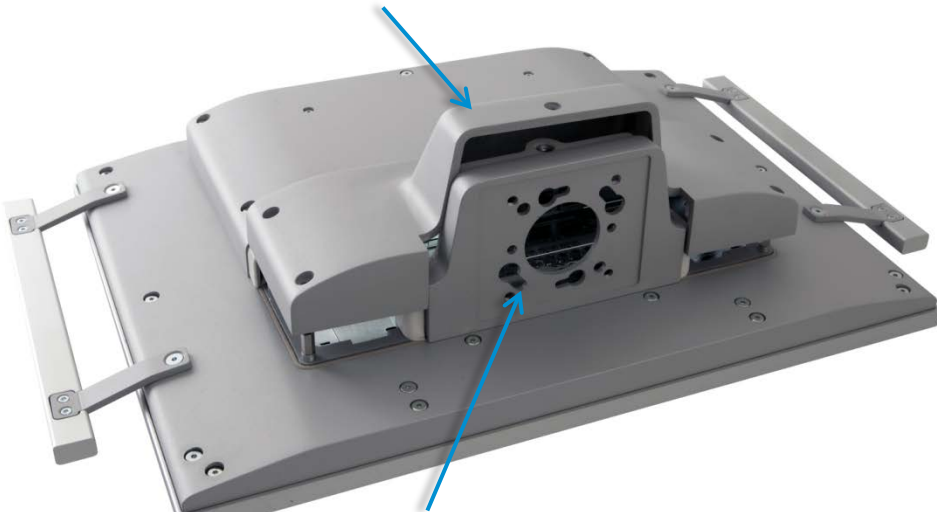
For suspension arm mounting system



Terminal blocks for
Button Area elements

MK100/MKR100 – Installation

Open the rear cover



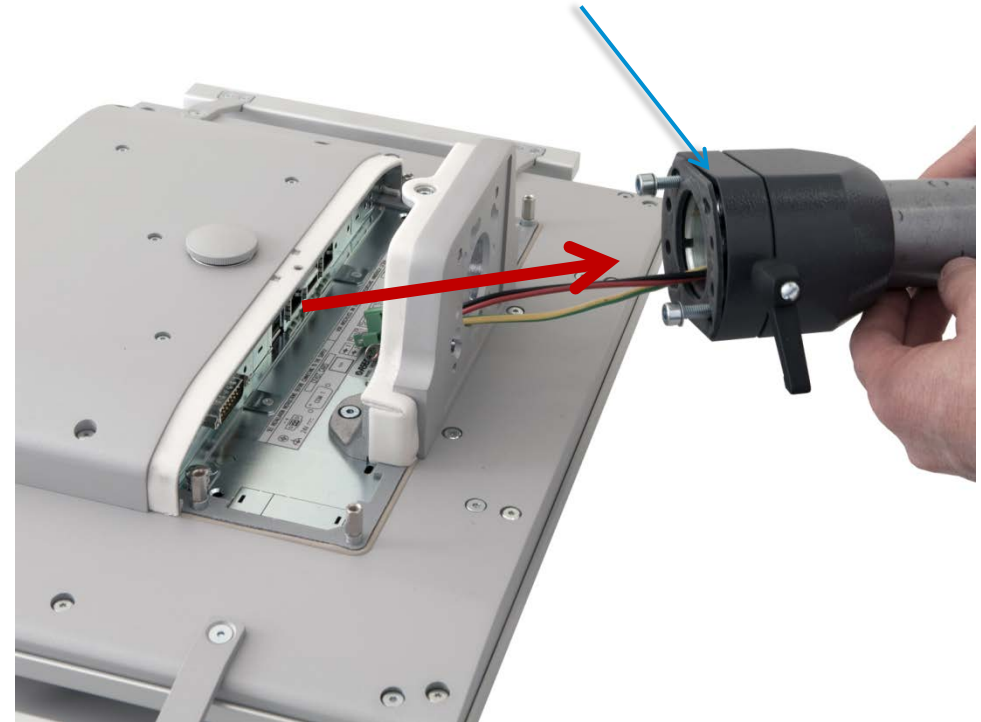
Predisposition for:

Rittal CP 40 90x71 support (120x65 with adapter plate)

Rolec TARAPLUS (with adapter plate)

HASEKE KUPPLUNG 48 (with adapter plate)

Rittal CP 40 coupler



MK100/MKR100 – Installation with adapter plate



The adapter plate is placed in the milling of the arm connection side.

The adapter plate leaves open the holes according to the arm systems for which is designed for.

MK100/MKR100 – Side handles (optional)



- Full aluminium side handles
- Rectangular section 20x12mm
- Fixed on the rear with screws
- Available for all the LCD sizes



MK100/MKR100 – Perimetral protection handle (optional)



- Full aluminium perimetral protection handle provide a protection against accidental hits with integrated handling feature
- Circular section Ø20mm
- Fixed on the rear with screws
- Available for 21,5" LCD



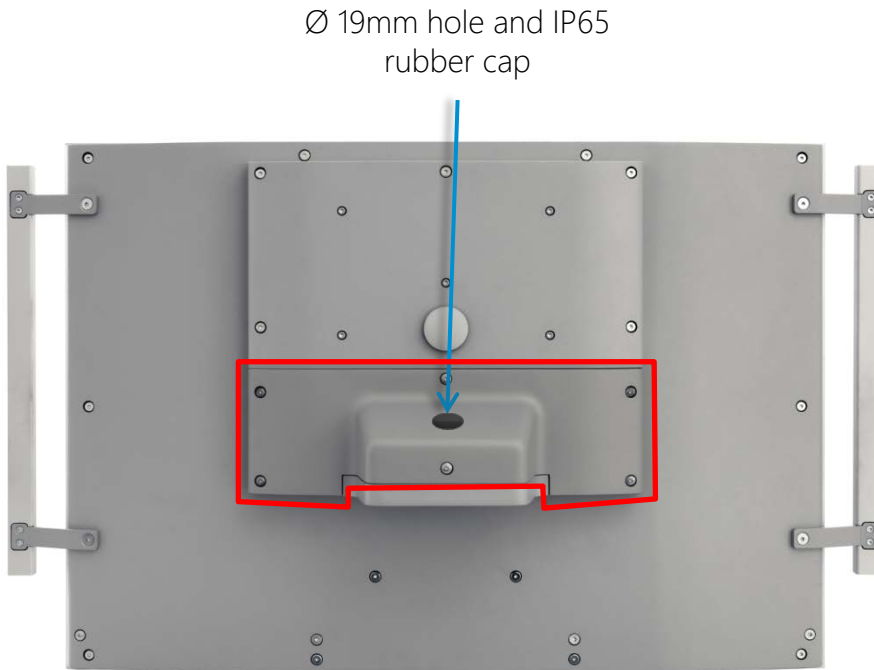
MK100/MKR100 – Keyboard support tray (optional)



- Keyboard support tray for keyboard and mouse
- Use the same fixing point of the handles and can be installed together
- Available for 21,5" LCD



MK100/MKR100 – Rear closing cover for connectors access



- The system can be ordered with the rear closing cover with a Ø19mm hole and IP65 rubber cap for the possible USB devices cabling at customer own charge
- Can be used in combination with optional keyboard support tray to connect and use office-like keyboard and mouse.

MK100/MKR100 - Long term availability



ASEM S.p.A.
Via Buia 4
33011 Artegna (UD)
Italy
Tel. +39/0432-9671

industrialautomation@asem.it
www.asem.it

