


Industrial Automation - Products & Configurations

PB3000/S0 BASIC SYSTEM	
Basic Configuration	Intel® Celeron™ dual core 1047UE 1,40 GHz • 2GB RAM • fanless • isolated 24V DC power supply • 2 MiniPCI slots • 12 months warranty

PB3000/S1 BASIC SYSTEM	
Basic configuration	Intel® Celeron™ dual core 1047UE 1,40 GHz • 2GB RAM • fanless • isolated 24V DC power supply • 2 MiniPCI slots, 1 PCI slot • 12 months warranty

	S0	S1		
PROCESSOR	•	•	Intel® Celeron™ dual core 1047UE • 1,40 GHz • 2MB smart cache • 2 cores, 2 threads • Soldered on-board	
	•	•	Intel® Celeron™ dual core 1020E • 2,20 GHz • 2MB smart cache • 2 cores, 2 threads • Soldered on-board	
	•	•	Intel® Core™ i3-3120ME • 2,40 GHz • 3MB smart cache • 2 cores, 4 threads • Soldered on-board	
	•	•	Intel® Core™ i5-3610ME • 2,70 GHz • 3MB smart cache • 2 cores, 4 threads • Soldered on-board	
	•	•	Intel® Core™ i7-3612QE • 2,10 GHz • 6MB smart cache • 4 cores, 8 threads • Soldered on-board	
RAM MEMORY	•	•	2 GB • 1 module SODIMM DDR3	
	•	•	4 GB • 1 module SODIMM DDR3	
	•	•	8 GB • 1 module SODIMM DDR3	
	•	•	16 GB • 2 modules SODIMM DDR3	
INTERNAL PSU	•	•	Without UPS (uninterruptible power supply)	
	•	•	With UPS (uninterruptible power supply) • integrated in power supply section • batteries kit not included > note 1	
EXTERNAL MONITOR OUTPUT	•	•	VGA (DB15F) video interface for additional external monitor • Max resolution 2048x1536 SXGA	
	•	•	DVI-I (Dual Link) video interface for additional external monitor • Max resolution 2048x1536 SXGA	
EXPANSION SLOTS	•	•	No expansion slots	
	•	•	1 x PCI half size • on riser card	
	•	•	1 x PCIe 4x format (Generation 2) half size • on riser card • expansion board with max consumption 3W	

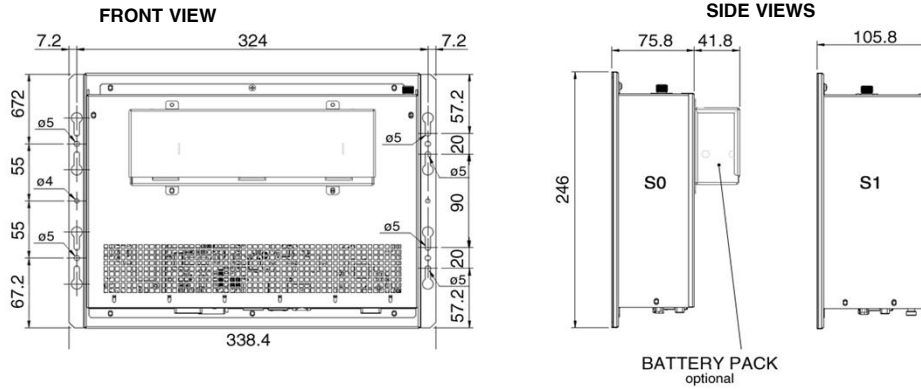
OPTIONS				
	S0	S1		
TPM	•	•	TPM (Trusted Platform Module)	
SSD mSATA	•	•	SSD mSATA (U110/X110), SATA 3, 6Gb/s (Solid State Disk), MLC	
SSD 2,5"	•	•	SSD 2,5" SATA installation kit (SSD not included)	
	•	•	SSD 2,5" SATA 2, 3Gb/s (Solid State Disk), MLC	
HDD 2,5"	•	•	HDD 2,5" SATA installation kit (HDD not included) • with shock absorber	
	•	•	HDD 320GB 2,5" • SATA 2, 3Gb/s • 5400rpm, 8 MB buffer • Advanced Format • 24x7	
	•	•	HDD 500GB 2,5" • SATA 2, 3Gb/s • 5400rpm, 8 MB buffer • Advanced Format • 24x7	
	•	•	HDD 320GB 2,5" • SATA 2, 3Gb/s • 5400rpm, 8 MB buffer • Advanced Format	
CFAST	•	•	HDD 500GB 2,5" • SATA 2, 3Gb/s • 5400rpm, 8 MB buffer • Advanced Format	
	•	•	HDD 500GB 2,5" • SATA 2, 3Gb/s • 5400rpm, 8 MB buffer • Advanced Format	
COMMUNICATION PORTS	•	•	CFast SATA 2	
	•	•	1 x RS232/422/485 serial port (DB15M) • 1 x USB 2.0 port > note 2	
	•	•	1 x RS232/422/485 optoisolated serial port (DB15M) • 1 x USB 2.0 port > note 2	
	•	•	2 x RS232 serial ports (DB9M) > note 2	
UPS BATTERIES KIT	•	•	2 x USB 2.0 ports > note 2	
	•	•	Batteries kit for rear systems mounting • cable included	
FIELDBUS	•	•	Batteries kit for detached mounting (wall mount) • 100cm cable included	
	•	•	NETcore® X MiniPCI fieldbus module • For technical details and supported drivers see pg.169 > note 3	
WARRANTY EXTENSION	•	•	Warranty extension to 18 months on basic system and its variants	
	•	•	Warranty extension to 24 months on basic system and its variants	
	•	•	Warranty extension to 36 months on basic system and its variants	

NOTES	
1:	UPS functionalities are ensured with Microsoft Win32/64bits operating systems only
2:	Communication ports cannot be installed together
3:	Boards with MiniPCI / MiniPCI bus cannot be installed together



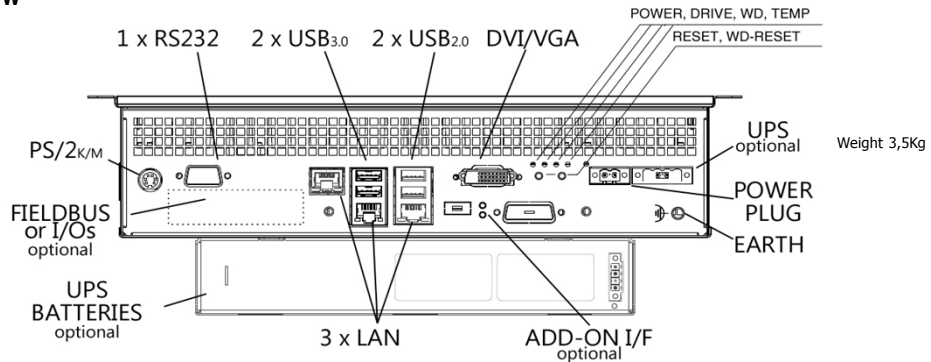
TECHNICAL SPECIFICATIONS	
Case	Wall and DIN rail mount
Overall dimensions & weight	See details on the related section
Power supply	Isolated • Input voltage: 18÷32V DC
UPS (optional)	12V DC UPS (Uninterruptible Power Supply) battery backup system Batteries module (optional): Pb, 12V/13A max, 2500mA/h • Charge time 3h@25°C • Discharge time 5'@ 10A and 25°C • Lifetime 10years@25°C
Motherboard	Type "All-In-One" ASEM 1151 Watch dog Time programmable
Intel platform	Processor Intel® Celeron™ dual core 17/35W • Intel® Ivy Bridge™ third generation 35W Chipset Intel® HM76 Express Chipset
Operating System	Microsoft Windows 8 Pro 32/64bit • Windows 7 Pro/Ultimate 32/64bit • Windows XP Pro 32bit • Microsoft Windows Embedded 8 32/64bit • Windows Embedded Standard 7E/7P 32/64 bit • Windows Embedded Standard 2009 (XPe SP3) 32bit Other operating systems, such as Linux, VxWorks, QNX, etc., have not been certified by ASEM but they are reasonably supported by the Intel platform after verification of compatibility O.S. certified by ASEM O.S. not supported by Intel platform Microsoft Windows 2000 / 98 / NT • Microsoft Windows CE 5 / 6
Video controller	Intel® HD Graphics integrated in Intel® Celeron™ microprocessor • 650MHz • LVDS 8bit/color digital interface Intel® HD Graphics 4000 integrated in Intel® Core™ microprocessor • 650MHz • LVDS 8bit/color digital interface
Video RAM (shared)	Dynamic Video Memory Technology • Memory quantity is automatically selected by operating system
System memory	DDR3-1600 type • 2 SODIMM modules • min 2GB • max 16GB
Mass storage interfaces	1 x SATA 3, 6Gb/s • 1 x mSATA 2, 3Gb/s • integrated on board
TPM	2x10 (2,54) pin-strip connector for optional TPM module
CFast slot	1 x slot CFast (bootable) external access
Bus expansions slots	on board (S0, S1) 2 x MiniPCI on riser card (S1) 1 x PCI or 1 x PCIe 4x • half size boards with 3W max consumption • alternative to each other
Rear access interfaces	3 x Ethernet 10/100/1000 Mbps (RJ45 - 2 x Intel® 82574L, 1 x Intel® 82579LM) • 2 x USB 3.0 (Type A) • 2 x USB 2.0 (Type A) • 1 x PS/2 K/M • VGA or DVI-I output video (2048x1536 SXGA max resolution)
Rear access serial interfaces	1 x RS-232 (DB9M)
Environmental specifications	Operating temperature: 0° ÷ +50°C, 0°C ÷ +45°C with 24x7 HDD, +5°C ÷ +45°C with standard HDD • Storage temperature: -20° ÷ +60°C • Humidity: 80% (non-condensing)
Approvals	CE (EN 55022, EN 61000-3-2/3, EN 55024, EN 60950-1) • cULus (UL-61010-2-201) pending
Standard warranty	12 months • Warranty management by ASEM headquarters

DIMENSIONS (mm)



NOTE: for systems with Celeron 1047UE processor the depth is 65,8mm (S0) instead of 75,8 and 95,8mm (S1) instead of 105,8

CONNECTORS VIEW PB3000/S0



CONNECTORS VIEW PB3000/S1

