


Industrial Automation - Products & Configurations

		PB3400/S0 BASIC SYSTEM		POWER [W]
Basic Configuration		Intel® Celeron® dual core G3900E 2,40 GHz • 4GB RAM • fanless • 24V DC isolated power supply • UBIQUITY BASIC Win32/64 runtime • 12 months warranty		60

		PB3400/S1 BASIC SYSTEM		POWER [W]
Basic configuration		Intel® Celeron® dual core G3900E 2,40 GHz • 4GB RAM • fanless • 24V DC isolated power supply • 1 PCI slot • UBIQUITY BASIC Win32/64 runtime • 12 months warranty		67

	S0	S1		POWER [W]
REMOTE ASSISTANCE	•	•	ASEM UBIQUITY BASIC Win32/64 runtime	-
PROCESSOR	•	•	Intel® Celeron® G3900E • 2,40 GHz, 2MB L2 cache • 2 cores, 2 threads • Soldered on-board	
	•	•	Intel® Core™ i3-6100E • 2,70 GHz • 3MB smart cache • 2 cores, 4 threads • Soldered on-board	+ 0
	•	•	Intel® Core™ i5-6440EQ • 2,70 GHz (3.40 GHz Turbo) • 6MB smart cache • 4 cores, 4 threads • Soldered on-board	+ 0
	•	•	Intel® Core™ i7-6820EQ • 2,80 GHz (3,50 GHz Turbo) • 8MB smart cache • 4 cores, 8 threads • Soldered on-board	+ 13
RAM MEMORY	•	•	4 GB • 1 module SODIMM DDR4-2133	
	•	•	8 GB • 2 x 4 GB modules SODIMM DDR4-2133	+ 5
	•	•	16 GB • 2 x 8 GB modules SODIMM DDR4-2133	+ 6
	•	•	32 GB • 2 x 16 GB modules SODIMM DDR4-2133	+ 7
INTERNAL PSU	•	•	Without UPS (uninterruptible power supply)	
	•	•	With UPS (uninterruptible power supply) • integrated in power supply section • batteries kit not included > note 1	+ 1
EXPANSION SLOTS	•	•	No expansion slots	
	•	•	1 x PCI half size • on riser card • expansion board with max consumption 5W	
	•	•	1 x PCIe 4x format (Generation 3) half size • on riser card • expansion board with max consumption 5W	+ 0

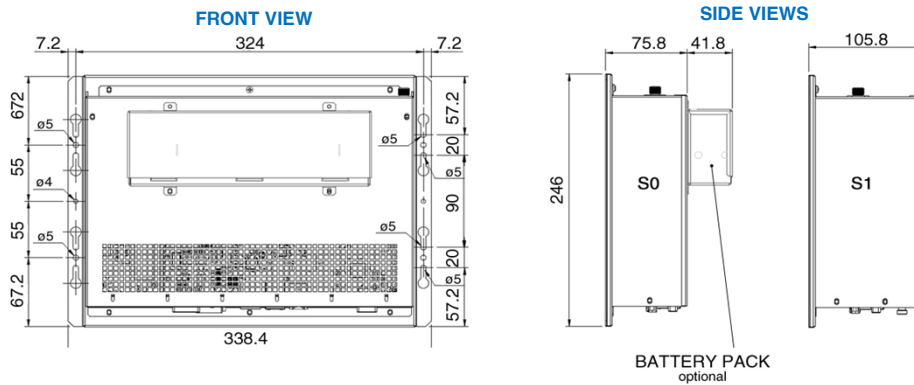
		OPTIONS		POWER [W]
TPM	•	•	TPM (Trusted Platform Module)	0
SSD mSATA	•	•	SSD mSATA (U110/X110), SATA 3, 6Gb/s (Solid State Disk), MLC	2
SSD/HDD 2,5"	•	•	2,5" SSD/HDD SATA installation kit (SSD/HDD not included) • with shock absorber	-
	•	•	2,5" SSD SATA MLC	5
	•	•	2,5" HDD SATA 24x7	6
CFAST	•	•	CFast SATA	1
COMMUNICATION PORTS	•	•	1 x RS232/422/485 serial port (DB15M) • 1 x USB 2.0 port > note 2	1
	•	•	1 x RS232/422/485 isolated serial port (DB15M) • 1 x USB 2.0 port > note 2	1
	•	•	2 x RS232 serial ports (DB9M) > note 2	2
	•	•	2 x USB 2.0 ports > note 2	0
	•	•	1 x Ethernet 10/100/1000Mbps, Intel® I210 > note 3	1
REMOTE VIDEO LINK	•	•	1 x additional video output RVL - Remote Video Link • Remotation up to 100m of DVI-D and USB 2.0 signals • without cables > note 3	3
POWER SUPPLY	•	•	Kit for ATX mode power supply functionality including on board button, internal cable and connector for remote command.	0
UPS BATTERIES KIT	•	•	Batteries kit for rear systems mounting • cable included	15
	•	•	Batteries kit for detached mounting (wall mount) • 100cm cable included	15
WARRANTY EXTENSION	•	•	Warranty extension to 18 months on basic system and its variants	
	•	•	Warranty extension to 24 months on basic system and its variants	
	•	•	Warranty extension to 36 months on basic system and its variants	

NOTES	
For power consumption calculation we recommend to read the tips on pg. 4. The power values does not include the absorbed power of USB devices connected to the ports.	
1: UPS functionalities are ensured with Microsoft Win32/64bits operating systems only	
2: Communication ports signed by note 3 cannot be installed together	
3: The Ethernet port and the additional video output RVL cannot be installed together	

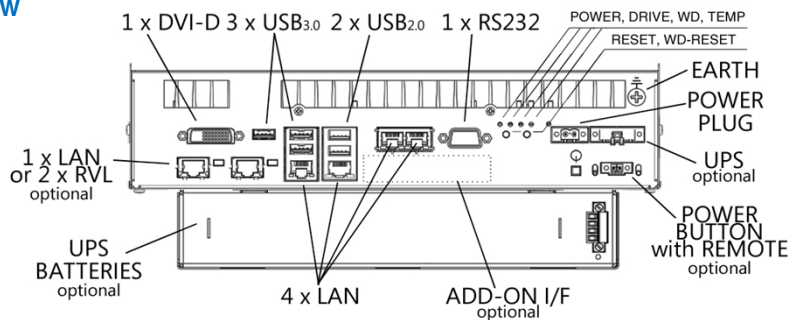


TECHNICAL SPECIFICATIONS	
Case	Wall and DIN rail mount
Overall dimensions & weight	See details on the related section
Power supply	Isolated • Input voltage: 18±32V DC • ATX mode push button (optional)
UPS (optional)	12V DC UPS (Uninterruptible Power Supply) battery backup system Batteries module (optional): Pb, 12V/13A max, 2500mA/h • Charge time 3h@25°C • Discharge time 5'@ 13A and 25°C • Lifetime 10years@25°C
Motherboard	Type "All-In-One" ASEM 1351 Watch dog Time programmable
Intel platform	Processor Intel® Celeron® dual core 35W • Intel® Core™ 6 th generation 35/45W Chipset Intel® HM170 PCH (Platform Controller Hub)
Operating System	O.S. certified by ASEM: Microsoft Windows 10 IoT Enterprise 2016 64bit • Microsoft Windows 8.1 Industry Pro 32/64bit • Microsoft Windows 7 Pro/Ultimate 32/64bit • Microsoft Windows Embedded Standard 7E/7P 32/64 bit • Linux Other operating systems, such as VxWorks, QNX, etc., have not been certified by ASEM but they are reasonably supported by the Intel platform after verification of compatibility O.S. not supported by Intel platform: Microsoft Windows XP / 2000 / 98 / Microsoft Windows CE 5 / 6 / 7
Software	Remote assistance: ASEM UBIQUITY BASIC Win32/64 runtime license with ASEM sticker
Video controller	Intel® HD Graphics 510 integrated into Intel® Celeron™ microprocessor • 950MHz Intel® HD Graphics 530 integrated into Intel® Core™ microprocessor • 950MHz / 1GHz
Video RAM (shared)	Dynamic Video Memory Technology • Memory quantity is automatically selected by operating system
System memory	DDR4-2133 type • 2 SODIMM modules • min 4GB • max 32GB
Mass storage	1 x onboard connector for direct insertion of mSATA SSD SATA 3 • 1 x onboard connector for 2,5" SSD/HDD 24x7 SATA 3 with internal installation kit
RAID controller	Integrated into chip Intel® HM170 PCH • Raid 0, 1
TPM	2x10 (2,54) pin-strip connector for optional TPM module
CFast slot	1 x bootable CFast SATA 3 slot on board with external front access
Bus expansions sloten riser card (S1)	1 x PCI or 1 x PCIe 4x • half size boards with 5W max consumption • alternative to each other
Rear access interfaces	4 x Ethernet 10/100/1000 Mbps (RJ45), 3 x Intel® I210, 1 x Intel I219LM • 3 x USB 3.0 (Type A) • 2 x USB 2.0 (Type A) • 1 x RS232 (DB9M) • 1 x DVI-D Single Link (1920x1080 FHD max resolution)
Environmental specifications	Operating temperature: 0° ± +50°C, 0°C ± +45°C with Core i7 processor or 24x7 HDD • Storage temperature: -20° ± +60°C • Humidity: 80% (non-condensing)
Approvals	CE (EN 55022, EN 61000-3-2/3, EN 55024, EN 60950-1) • cULus LISTED (UL61010) pending
Standard warranty	12 months • Warranty management by ASEM headquarters

DIMENSIONS (mm)



CONNECTORS VIEW PB3400/S0



CONNECTORS VIEW PB3400/S1

